

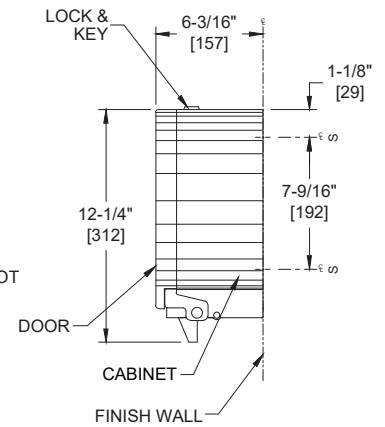
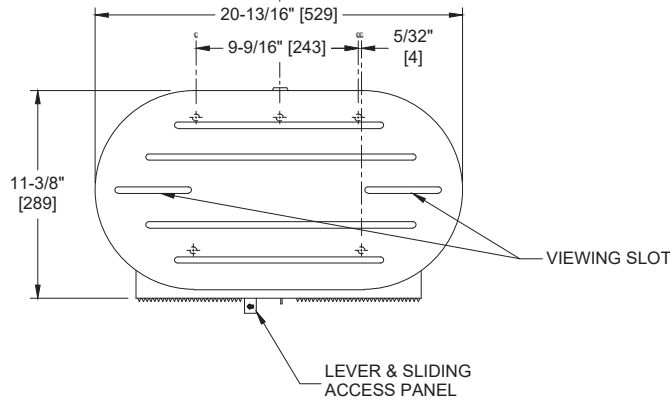
**Twin 9" Jumbo Roll Toilet Tissue Dispenser – Surface Mounted**

Toilet Tissue Dispensers

MasterFormat Section 10 28 13



MOUNT WITHIN 12" [305]  
OF FRONT OF TOILET SEAT



Scan for Information



**SUSTAINABILITY/LEED**

MR 4.1 (1) MR 6 (1) EQ 4.2 (1)  
MR 4.2 (1) EQ 4.1 (1) EQ 4.4 (1)

**NOTE:**  
ALL DIM'S INCH [MM]  
ILLUSTRATION FOR REF ONLY AND NTS

**PRODUCT OVERVIEW**

Holds two 9" diameter [Ø229] rolls of 2-1/4" Dia. [Ø57] or 3" Dia. [Ø76] diameter core. When one roll is depleted, slide panel to expose other roll. Door cabinet and mounting plate fabricated of 18 gauge type 304 stainless steel with a satin finish. Two viewing slots reveal toilet tissue rolls inside. Equipped with tumbler lock.

**KEY FEATURES & SPECIFICATIONS**

- Jumbo Twin Roll Dispenser
- Holds two 9" Dia. [Ø229] rolls
- Type 304 Stainless Steel - Satin Finish
- Surface Mounted

**OPERATION & MAINTENANCE**

Two (2) 9" [229] Two (2) 9" [Ø229] outside diameter jumbo rolls of toilet tissue are mounted over 3" [Ø76] inside diameter (ID) core adapters. Two (2) 2-1/4" [Ø57] ID core rolls may be used by removing the core adapters. Whenever one roll of toilet tissue is depleted, the other roll is selected by shifting over the lever at the bottom of the unit. Viewing slots continuously reveal tissue level. Keylocked door prevents unauthorized access or removal. Tissue supply is replenished on a cycle determined by maintenance needs.

**TECHNICAL INFORMATION / PRODUCT PROPERTIES**

Property	Value
Dimensions	20-13/16" [529] W x 11-3/8" [289] H x 6-3/16" [157] D
Construction	Type 304 Stainless Steel - Satin Finish
Mounting	Surface Mounted
Capacity	Holds two 9" Dia. [Ø229] rolls

**INSTALLATION**

For general utility surface mount unit within 12" [305] of front of toilet from center line and 31" [787] above finished floor (AFF) from bottom of unit with five (5) screws (supplied) through mounting holes provided. For compliance with 2010 ADA Accessibility Standards install unit so that centerline of farthest roll or leading edge of first roll, whichever is farthest, is # farther than 36" [914] from back wall behind commode and centerline of rolls is 19" [483] minimum above finished floor (AFF) to 44" [1118] max. AFF.

**OPTIONS**

**WARRANTY**

One (1) Year from date of Invoice