



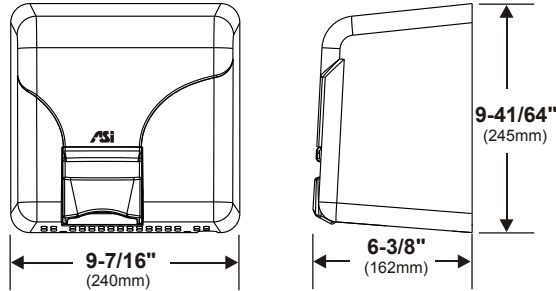
Hand Dryer **Operating Instructions and Parts Manual**

Surface-mounted Automatic hand dryer

PLEASE CAREFULLY READ THROUGH THIS MANUAL BEFORE USING THE PRODUCT. OBSERVING ALL SAFETY INFORMATION, WARNINGS AND CAUTIONS WILL PROTECT YOURSELF AND OTHERS. PLEASE KEEP INSTRUCTIONS FOR FUTURE REFERENCE.

MODEL # 0141

MODEL # 0144



TECHNICAL SPECIFICATIONS

ITEM CATEGORY	PERFORMANCE DATA
Operating Voltage, 0141	100-120 Vac, 50/60 Hz, 15.8A, 1.9 kW MAX
Operating Voltage, 0144	208-240 Vac, 50/60 Hz, 7.9/9.2A, 2.21 kW MAX
Output Warm Air Volume	142.4 CFM {241.9 m ³ /h}
Output Air Speed	52.5 ft/s {35.8 mi/hr} {16 m/s [57.6 km/hr]}
Output Warm Air Temp	127°F {53°C} at ambient T = 77°F {25°C}
Motor Type	1/8 HP {100W}, 3150 rpm, Brushless Type, Dual Ball Bearings
Motor Thermal Protection	Auto Resetting Thermostat turns unit off at 221°F, {105°C}
Heater Element, 0141	1.7 kW @120Vac, Nichrome 8.5W
Heater Element, 0144	1.7 kW @ 220Vac, Nichrome 28.5 W
Heater Thermal Protection	Auto Resetting Thermostat turns unit off at 189°F, {87°C}, Resets at 122°F {50°C}
Drying Time	Less than 30 seconds
Circuit Operation	Infrared Automatic, self adjusting
Sensor Range	2" to 10" [51 mm to 254 mm], adjustable; standard 7"±25/32" [178 mm ± 20 mm]
Timing Protection	2 minutes auto shut off
Timing Duration	2 seconds delayed turn off after last sensor read
Output Air Nozzle	Heavy-Duty Chrome plated die-cast Zinc, Tilt-Flip type with internal grille
Sound Level	63±3 dB-A
Cover Type	Aluminum, Die Cast, 7/64" (.109"), {2.8mm} thick
Cover Finish	Epoxy Enamel baked-on coating
Net Weight	8.4 lbs [3.8 kg]
Shipping Weight	10.6 lbs [4.8kg]
Unit Size	9-7/16" W x 9-41/64" H x 6-3/8" D [240 mm x 245 mm x 162mm]

INPUT MOD		Motor			Heater			Total	
VAC	Nº	Vac	Inrush A(W)	Operating A (W)	Vac	Inrush A(W)	Operating A(W)	Inrush A(W)	Operating A(W)
115	0141	115	1.2 (138)	0.80 (92)	115	13.6 (1564)	13.6 (1564)	14.8 (1702)	14.4 (1656)
120	0141	120	1.25 (150)	0.83 (100)	120	14.2 (1704)	14.2 (1704)	15.8 (1896)	15.0 (1800)
208	0144	208	0.64 (133)	0.43 (89)	208	7.3 (1518)	7.3 (1518)	7.9 (1643)	7.7 (1602)
220	0144	220	0.68 (150)	0.45 (100)	220	7.7 (1694)	7.7 (1694)	8.4 (1848)	8.2 (1804)
230	0144	230	0.72 (166)	0.48 (110)	230	8.0 (1840)	8.0 (1840)	8.7 (2001)	8.5 (1955)
240	0144	240	0.75 (180)	0.5 (120)	240	8.4 (2016)	8.4 (2016)	9.2 (2208)	8.9 (2136)

General safety information:

⚠ WARNING *This product is intended for installation by a qualified service person. Use AWG NO. 12 solid conductor for wiring.*

⚠ WARNING *Disconnect power at the service breaker before installing or servicing.*

⚠ DANGER *Failure to properly ground unit could result in severe electrical shock and/or death.*

⚠ WARNING *All units must be supplied with a 3-wire service. The ground wire must be connected to the dryer's backplate.*

-- **NOTE:** Do not install dryer over washbasin --

Installation

1. Make sure power supply breaker is switched off. Installation must be carried out in accordance with the current edition of the local wiring regulations code having jurisdiction. Installation should be performed only by a qualified electrician.
2. Place template against wall at desired height (see mounting height recommendations) and mark locations of 4 mounting holes and wire service entry at knockout (KO) location.
Note: For two or more dryers, dryers should be no closer than 24 inches (610 mm) on center.
3. Remove and retain 2 cover screws and cover.
4. **For in-wall (concealed) power supply** - Provide supply wire to KO location according to local code and attach securely to chassis at KO with appropriate strain relief connector (not supplied).
5. Attach dryer to wall. For wood wall/studs use $\varnothing 1/4$ inch (M6) screws at length that will ensure 1 inch (25 mm) min. stud penetration. For masonry walls use expansion bolts or anchors for $\varnothing 1/4$ inch (M6) screws to ensure penetration 1/4 inch (6 mm) deeper than anchor. Shim if necessary to ensure base plate is flat against wall.
6. Connect supply and ground wires to terminal block where indicated or connect supply wires to terminal block where indicated and connect ground wire to base plate with ground screw (Connections: A. Connect the live wire (colored Brown or Black) to the terminal block marked "L1". B. Connect the neutral wire (colored White or Grey) or connect the second live wire (colored Red or Orange) to the terminal block marked "N/L2". C. Connect the ground wire (colored green or green and yellow or bare conductor) to the terminal block marked "⊕" or to the green screw marked "⊕"). Colors of live and neutral wires depend on voltage of supply service and requirements of Building and Electrical Code having jurisdiction.
7. Replace cover. Do not over-tighten screws.

Installation Kit Included (find in carton)

1. Self-Threading screws 1/4" x 2-1/2" (M6 x 64) x 4 pcs
2. Security hex wrench 5/32" (4) L-Type x 1 pcs

Recommended mounting heights

- from bottom edge of dryer above finished floor (AFF)

Men	50"	(1270 mm)
Women	47"	(1194 mm)
Children 4-7 years	35"	(889 mm)
Children 8-10 years	39"	(991 mm)
Children 11-13 years	43"	(1092 mm)
Children 14-16 years	47"	(1194 mm)
Handicaped	40"	(1016 mm)

Reference **ADAAG** AFF (maximum)
Reach **LIMIT** (unrestricted)

All Approaches 48" (1219 mm)

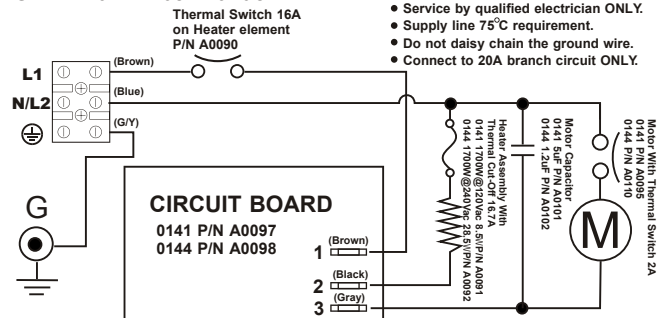
Operation

- Hands-Free operation.
- Shake excess water from hands.
- Place hands under the outlet to start operation.
- Rub hands lightly and rapidly. User may flip-tilt nozzle to dry face.
- Stops automatically after hands are removed. Nozzle returns to original position when released by user.

Circuit Diagram

MODEL # 0141 100-120Vac
MODEL # 0144 208-240Vac

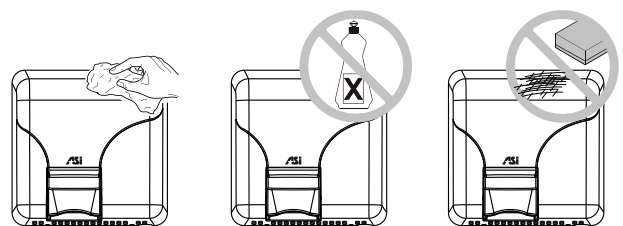
- NOTE**
- The ground wire must be connected to the dryer's backplate.
 - Service by qualified electrician ONLY.
 - Supply line 75°C requirement.
 - Do not daisy chain the ground wire.
 - Connect to 20A branch circuit ONLY.



Cleaning and Maintenance

Periodic cleaning of the unit is recommended to ensure optimum performance.

- Disconnect the electrical supply.
- Remove the two cover-mounting screws.
- Remove the cover.
- Clean all dust lint from the interior of the dryer.
- Wipe the cover with a damp cloth and mild cleaning solution. Do not Soak. Never use abrasives to clean the cover.
- Replace the cover. Do not over tighten the screws.



Warranty

All of our dryers are designed and manufactured to provide years of dependable performance. Component parts are guaranteed to be free of defects in material and workmanship for a period of **Ten** years. This guarantee will be honored provided that the dryer is installed and maintained in accordance with the instructions. Parts damaged during the Installation are the purchaser's responsibility. **ASI's** warranty covers defects exclusively, and only liability for the replacement of defective parts will be accepted. This warranty does not cover wear and tear, or misuse and abuse. Transportation, freight costs and labor are also excluded. Defective parts must be returned prepaid, accompanied by the unit serial number, to the point of purchase. This warranty is granted solely to the original purchaser of the unit and is subject to registration.



Diagnostics and Remedies

Symptom	Corrective Action
If the dryer will not run	First ensure that the breaker supplying the dryer is operational. If it is, disconnect the power and remove the dryer cover. Check for obstructions blocking the rotation of the blower and clear any found. If it spins freely, check the motor and thermostat for proper operation out of the unit. Replace any failed items. Taking suitable precautions to avoid shock hazard, reconnect the power and check for voltage at the terminal block. If there is power and the dryer will not run, replace the circuit board module (CBM) .
If the dryer cycles by itself, or runs all the time, or shuts off by itself while in mid-cycle	Ensure that there is no obstruction on or in front of the infra-red sensor. Clean any dirt off the sensor lens. Check for voltage spikes on power line. If the problem persists, replace the circuit board module (CBM).
If the element gets hot but the fan motor does not turn	Disconnect the power. Remove the dryer cover and check for obstructions in the fan housing. Damaged fans must be replaced. If there are no obstructions, replace the motor.
If the unit runs but makes a buzz noise	Disconnect the power. Remove the dryer cover and check the fan for obstructions and/or rubbing on the housing as it rotates. Remove any obstructions and replace fan if the rubbing condition exists.
If the fan motor runs but the element does not get hot (Dryer blows cold air)	Disconnect the power and remove the dryer cover. Check for loose or damaged wires. Remove the blower housing. Check the element for signs of burning or breakage. Damaged element must be replaced. If the element does not appear damaged, disconnect it at the CBM and check element wire continuity (see tech spec). An open circuit indicates damage to the element wire and to the integral temperature limit control (TLC). Separate the TLC and test for open circuit. If this is the case, replace the element and/or the thermostat.



Repair parts list

Key	Part #	Description	Qty	Key	Part #	Description	Qty
1	A0085	Cover	1	32	-	Screw (M4x6),headless set (with 2mm hex key)	3
2	A0086	Lock plate	1				
3	A0087	Teflon washer	2	33	-	Screw M3x6, philips pan head	2
4	A0088	Air outlet Nozzle	1				
5	A0089	Axle shaft	2	34	-	Screw M4x5, philips pan head with external tooth lock washer	8
6	A0090	Thermostat (TLC)	1				
7		Heater assembly					
	A0091	100-120Vac 8.5W	1	35	-	Screw M4x8, philips pan head with spring washer	1
	A0092	208-240Vac 28.5W	1				
8	A0093	Blower wheel	1				
9	A0094	Blower housing	1	36	-	Self Threading Screw M3x8, philips pan head	3
10		Motor					
	A0095	1/8HP @120Vac	1	37	-	Self Threading Screw Ø1/4"x 2-1/2", philips pan head	4
	A0110	1/8HP @240Vac	1				
11	A0096	Motor Bracket	1	38	-	Cable ties not shown	4
12		Circuit Board Module (CBM)		39	-	Screw M4x10, philips pan head with external tooth lock washer	2
	A0097	100-120Vac	1				
	A0098	208-240Vac	1				
13	A0099	Security hex cap head 1/4"-20 x5/8" screw with lock washer	2	40	-	Screw M3x16, philips pan head	2
14	A0100	Security hex wrench 4mm	1	41	-	Screw M5x10, philips pan head with spring washer	2
15		Motor Capacitor					
	A0101	100-120Vac 5uF	1				
	A0102	208-240Vac 1.2uF	1	42	A0112	Mylar shield with L1,N/L2,G marked	1
16	A0103	Air outlet grille	1				
17	A0011	Grounding screw with cup	1	43	A0113	Circuit Diagram Label	1
18	A0104	Base plate	1				
19	A0010	Terminal block	1				
20	A0012	Nylon Cable Clamp Ø5/16"	1				
21	A0029	Nylon Hole Bushing	1				
22		Rating label					
	A0111	100-120Vac	1				
	A0107	208-240Vac	1				
23	A0068	CAUTION DISCON PWR Label	1				
24	A0064	CAUTION 20A Label	1				
25	A0065	S/N Barcode Label	1				
26	A0108	Spring	1				
27	A0109	Fixed plate	1				
28	A0114	Shelter plate	1				
29	-	Snap pin (M6))	2				
30	-	Screw M4x10, philips pan head	2				
31	-	SS Washer	2				

