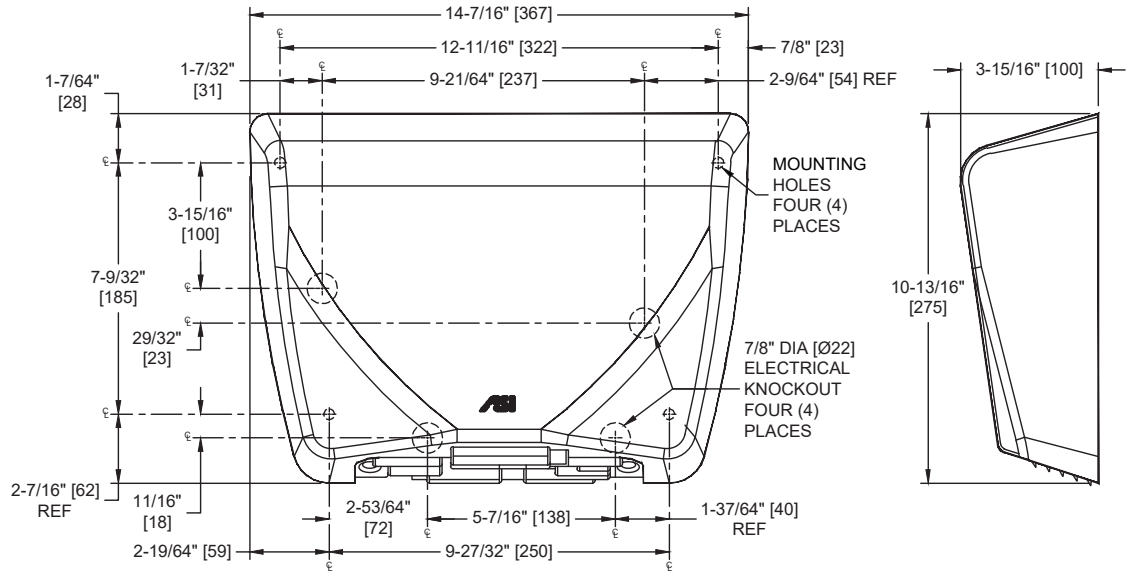


Profile™ Steel Cover Hand Dryers – Satin Stainless Steel

Hand Dryers

Profile-Dryer

MasterFormat Section 10 28 13



Scan for Information



SUSTAINABILITY/LEED

MR 4.1 (1) EQ 4.1 (1)
MR 4.2 (1) EQ 4.2 (1)
MR 6 (1) EQ 4.4 (1)

NOTE:
ALL DIM'S INCH [MM]
ILLUSTRATION FOR REF ONLY AND NTS
FOR CLEANING INSTRUCTIONS SEE APPROPRIATE SECTIONS IN
PRODUCT CARE & MAINTENANCE BULLETIN (PCM) ON ASI WEBSITE

PRODUCT OVERVIEW

Quick drying, less than 25 seconds, and no-touch, energy efficient operation. Universal voltage; automatically adjusts to voltages of 100 to 240 VAC – 50/60 Hz. Modern design and durable.

KEY FEATURES & SPECIFICATIONS

- ADA Compliant <4" Depth
- 65 dB-A (Min) - 69.8 dB-A (Max) QUIETER / Fast - Under 15 Sec Dry Time
- Type 304 Stainless Steel - Satin Finish
- Surface Mounted - "Touch Free" Operation
- Automatic - AC - Universal Voltage - "No Touch"

OPERATION & MAINTENANCE
Automatic "No-Touch"

Dryer is activated by user placing hands under sensor. LED in sensor array shines blue light during operation to guide user to optimal hand placement for shorter drying time. Dryer automatically shuts off after time-out when user removes hands from sensor zone.

TECHNICAL INFORMATION / PRODUCT PROPERTIES

Property	Value							
Dimensions	14-7/16" x 10-13/16" x 3-15/16" [367 x 275 x 100]							
Construction	Type 304 Stainless Steel - Satin Finish							
Mounting	Surface Mounted - "Touch Free" Operation							
Electrical	Universal Voltage							
Motor	HP	RPM (x1000)	Fan Type	Airflow	Heating Element	Air Output Temperature	Sound Pressure	Drying Time
Brushless Type Dual Ball Bearings with 221° F (105° C) auto reset circuit breaker	0.25	75	Single-Inlet Centrifugal	185 CFM (314.5 m3/h)	Nichrome wire with auto reset circuit breaker	149° F (65°) @ 77° F (25°) Ambient room temperature	65 dB-A @ 2M	Less Than 25 Seconds

INSTALLATION

Surface mount unit on wall with four (4) 1/4" screws, washers and bushings (supplied) through rubber grommets (supplied) in a corrosion protected formed heavy steel back plate into suitable prepared mountings (by others) or other suitable mounting hardware (by others) to suit wall conditions. For masonry walls use expansion bolts or anchors for 1/4" [6] screws. Electric service of 100-240VAC 20A 50/60 Hz (provided by others) is brought to RWO at location for dryer indicated on diagram above and is hooked up (by others) in accordance with schematic and Owner's Manual provided with unit. Electrical service is supplied and connected (by others) prior to installing cover. Cover is secured to back plate with two (2) hex socket security screws (supplied). For compliance with ICC/ANSI A-117.1-2003 and ADA Accessibility Guidelines install unit with bottom of sensor lens 48" [1219] maximum Above Finished Floor (AFF) if clear floor forward reach or if clear floor side reach access is provided or 46" [1168] max AFF if side reach access over an obstruction (e.g. vanity) with reach depth greater than 10" [254] and less than 25" [635] is only provided or 44" [1118] max AFF if forward reach over an obstruction (e.g. commode) with reach depth greater than 20" [508] and less than 25" [635] is only provided. For general utility install unit so that sensor lens is 44" [1118] to 50" [1270] AFF. For installation of two or more dryers, dryers should be no closer than 24" [610] on center. See OM and Template supplied with unit.

OPTIONS
WARRANTY

Ten (10) Years from date of Invoice