



Model No.: 0192-1-93

110-120V 60Hz

## 4" [102] TURBO *Swift*<sup>™</sup> ADA COMPLIANT HAND DRYER



1903281349 Rev. A

3 Apr 2019



PLEASE READ CAREFULLY THROUGH THIS MANUAL BEFORE USING THE PRODUCT, OBSERVING ALL SAFETY INFORMATION, CAUTIONS, WARNINGS.

## SAFETY WARNINGS

Before installing, be sure to read this installation manual and retain for future reference.

This product must be installed by qualified personnel in accordance with the instructions given in this manual and installation must comply with all applicable regulations, national security standards and laws in force in the country where the product is installed.

Turn off the power at the main switch before installing or servicing the dryer unit.

The dryer must not be installed on a flammable surface. Do not damage any parts of the electrical connections.

Pre-arrange an appropriate power outlet and a system of disconnection in accordance with current local regulations. Make sure the product is properly connected to ground. If there is no grounding connection, there is a risk of an electrical shock.

Do not install the dryer over a washbasin. If the power cord is damaged, it must be repaired by a qualified personnel to avoid any type of risk.

This dryer can be used by children aged 8 years and above. People with reduced physical, sensory or mental abilities or lack of experience and knowledge, if they have been given supervision and appropriate training regarding the use of the dryer in a safe manner, can use it with no restriction. Children should not play with the apparatus. Cleaning and maintenance performed by the owner should not be done without the children having supervision.

During use, temperatures above 158°F [70°C] may develop in the parts near the hot air nozzle.

Do not touch or cover the dryer during use or when finished using it.

## GENERAL SAFETY INFORMATION

**⚠ WARNING** This product is intended for installation by a qualified service person. Use AWG NO.12 solid conductor for wiring.

**⚠ DANGER** Failure to properly ground unit could result in service electrical shock and/or death.

**⚠ WARNING** Disconnect power at the service breaker before installing or servicing.

**⚠ WARNING** All units must be supplied with a 3-wire service. The ground wire must be connected to the dryer's backplate.

--NOTE: Do not install dryer over washbasin --



AMERICAN SPECIALTIES INC.

441 Saw Mill River Road Yonkers, NY 10701-4913

Tel: 914.476.9000 Fax: 914.476.0688

[www.americanspecialties.com](http://www.americanspecialties.com)

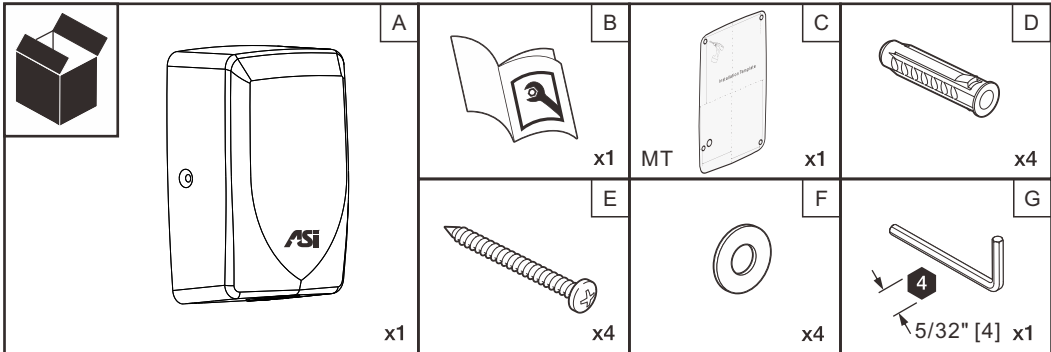


# PACKING LIST

Fig.1

ITEM KEY	PC'S	DESCRIPTION
A	1	Hand Dryer Unit Complete
B	1	Owner Manual (OM -This Booklet)
C	1	Mounting Template (MT)
D	4	Wall Anchors 5/16" Dia.×1-1/2" [Φ8x38]
E	4	Self-Threading PPHS No.10AB×1-3/16" [M5 x 36]
F	4	Flat Washer for No.10AB [M5] PPHS
G	1	Hex Key 5/32" [4]

Fig.2



# SPECIFICATION

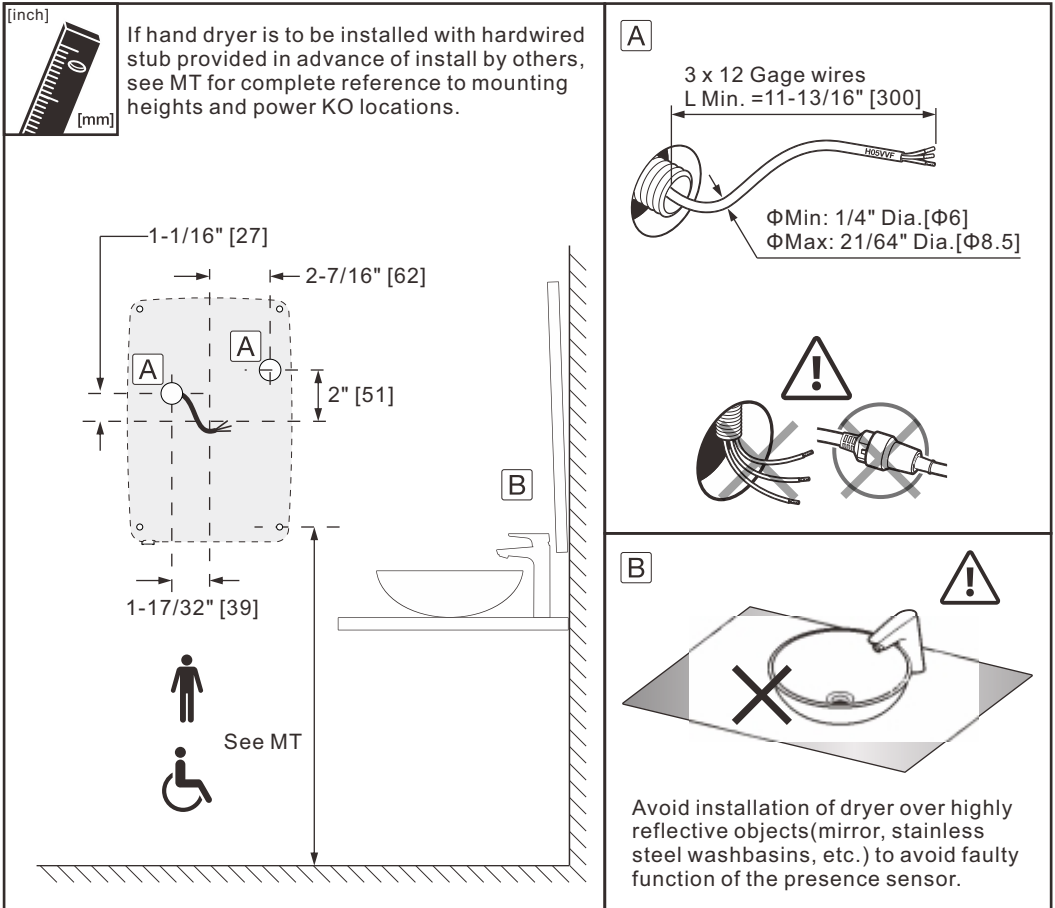
ITEM CATEGORY	DESCRIPTION
Operating Voltage	110-120 V, 60Hz, 1kW
Output Warm Air Temp	104°F [40°C] at ambient T=77°F [25°C], Distance from Nozzle=4" [100]
Output Air Velocity	328 ft/s [100 M/s], 224 MPH [360 km/h]
Output Air Flow	82.4 CFM [140M <sup>3</sup> /H]
Drying Time	10~12 seconds
Sensor Range	2"~7-5/64" [51-180], for sensing capability under optimum conditions Owner ADJUSTABLE
Motor Type	Brush Contacts, Dual Ball Bearings, 30 kRPM, 600 W, 0.8 HP
Sound Pressure	80 dB-A @1 M, 74 dB-A @ 2 M
Power Supply	Outlet Socket within 8" [203] or concealed hardwire (see MT) all by others
Stand-by Power	Less Than 2.0 W
Timing Protection	Forced Hold-On 60 seconds auto shut-off
Timing Duration	Auto Shut-Off ≤ 3 sec after last sensor read
Fuse Protection	Main PCB, Φ5×20, 250V, 12A
Heater Element	Nichrome wire, 20-80, 1/64" Dia. [Ø 0,4], 24 Ω, coil on armature type

ITEM CATEGORY	DESCRIPTION
Protection Level	IP 23
Electrical Isolation	Class 1
Cover & Cabinet	Stainless Steel Type 304
Finish on Cover	Satin
Net Weight	5.5 lb [2.5 Kg]
Shipping Weight	6.6 lb [3.0 Kg]
Unit Size	6-27/32" W × 10-1/16" H × 3-31/32" D [174 × 256 × 101]

## BEFORE INSTALLATION

Installation must be carried out in accordance with the current edition of the local wiring regulations code having jurisdiction. Installation should be performed only by a qualified electrician.

**Fig.3**

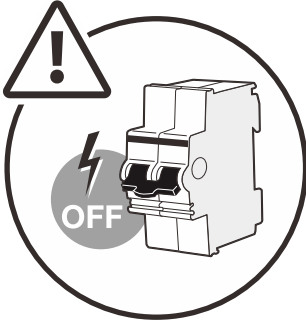


## INSTALLATION

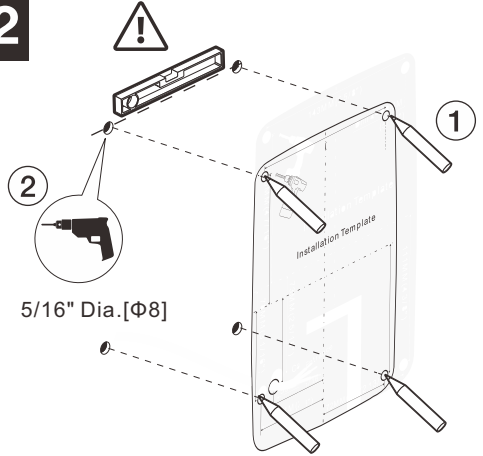
1. Make sure power supply breaker is switched off. Installation must adhere to the regulations of the current edition of the local wiring code having jurisdiction. Installation should be performed only by a qualified electrician.
2. Place template against wall at desired height (see mounting height recommendations on MT) and mark location of four (4) mounting holes and wire service entry at knockout (KO) location if unit is to be hardwired. Ensure the holes are level and pattern is square.

**NOTE:** For two (2) or more dryers placed adjacently, units should be no closer than 24" [610] on centers.
3. Remove and properly discard transport safety screw on rear of dryer chassis.
4. Remove and retain two (2) screws with hex socket on cover sides with hex key provided. Remove cover and retain in safe place to avoid damage during next steps of installation.
5. Install the dryer chassis on the wall (see OM, pg 6, Fig 4, Step 5):
  - a. Insert the wall anchors provided so the heads are flush with the wall surface
  - b. Use the screws and washers provided to attach the chassis and snug up securely.
6. If the unit is to be hard-wired (see OM, pg 4, Fig 3, Step A) to verify the correct location, gage and length of cable has been provided prior to installation of the dryer. If correct, proceed to prepare stub cable to attach to terminal block through KO in chassis and under strain relief clamp. See OM pg 6, Fig 4, Step 6 for illustration. Tighten terminal block screws securely.
  - a. Connect live wire (color may be Brown, Red or Black) to terminal block at mark "L"
  - b. Connect neutral wire (color may be Blue or Black) to terminal block at mark "N"
  - c. Connect ground wire (color may be Green or Yellow) to terminal block at mark "E"
7. Owner may choose to exercise options for heater ON or OFF as per OM Pg 7, Fig 5, Step 7 and Pg 8, Fig 7, Step A.
8. Owner may choose to exercise options for Sensor Range adjustment as per OM Pg 7, Fig 5, Step 8 and Pg 8, Fig 7, Step B.
9. Reinstall the cover (retained in step 4 above) with the saved security hex socket screws and the hex key provided. Do not over-tighten the screws.
10. If the unit is powered with a short cord to a nearby {suggested within 8" [203] max distance} then plug it in correctly and reinstate power at circuit breaker. Clean up installation debris; turn OM and hex key over to Owner.
11. Test unit operation. Walk away happy.

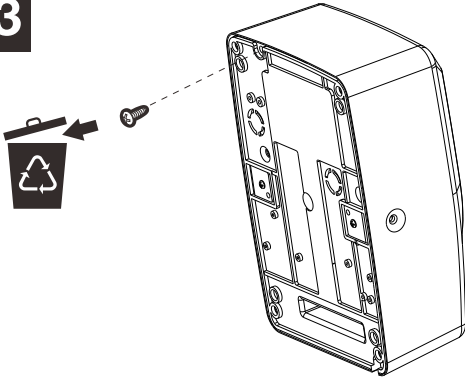
**1** Circuit Breaker (By others)



**2**



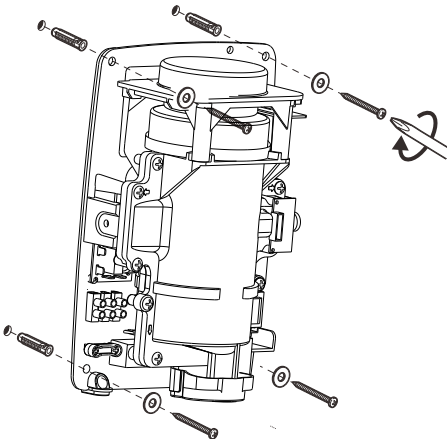
**3**



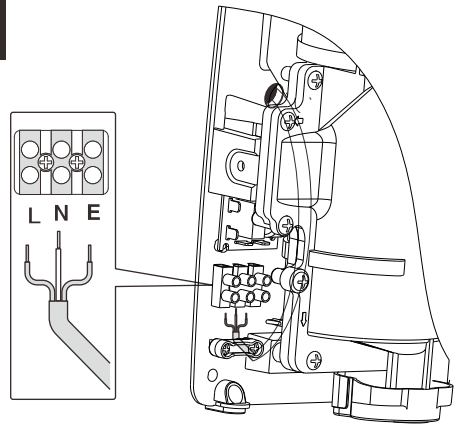
**4**



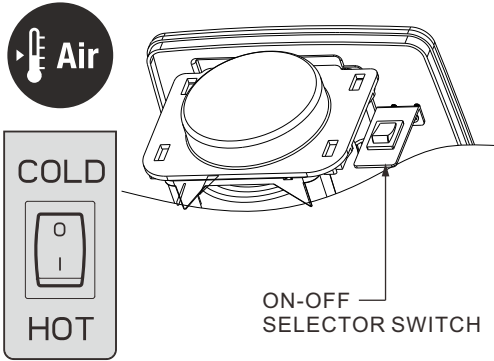
**5**



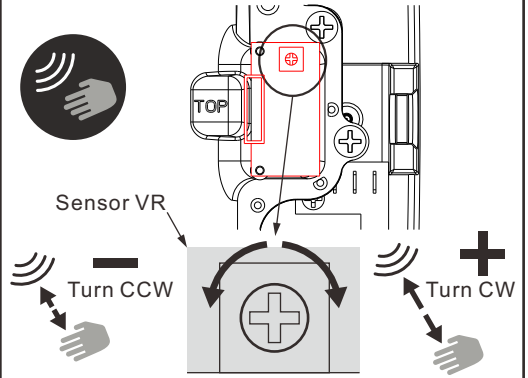
**6**



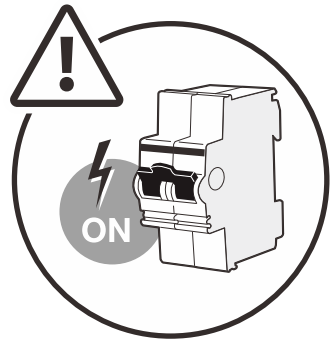
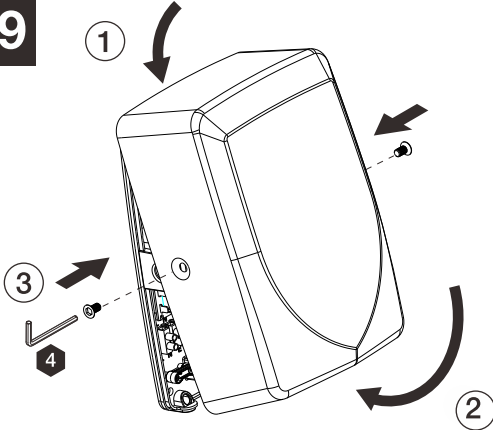
**7** HOT AIR ON/OFF (Selection)



**8** SENSOR RANGE SETTING



**9** **10** Circuit Breaker (By others)



## OPERATION

No-touch operation.

There is a blue LED light to guide user to the air flow.

Shake excess water from hands.

Place hands under the outlet to start operation.

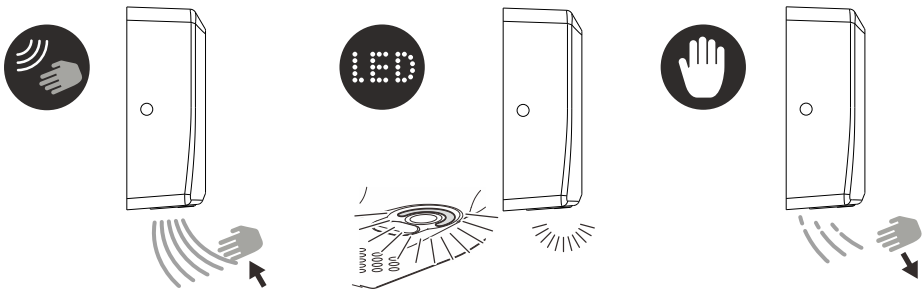
Rub hands lightly and rapidly under the nozzle outlet.

Stops automatically after hands are removed or if maximum time is reached.



### Basic use

Fig.6



Operation without touching, place your hands under the nozzle to activate the dryer.

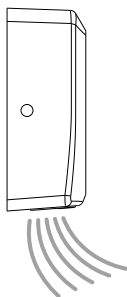
Blue LED light guides hands to air flow.

After 3 seconds without detecting hands, the dryer stops automatically.

## OWNER ADJUSTMENTS

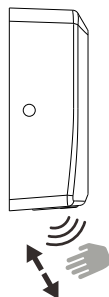
Fig.7

A.



Turn on/off heated air with a switch on unit chassis.  
(see step 7 in **INSTALLATION** Page 7, Fig. 5).

B.



Sensor range may be adjusted with the potentiometer (VR) located inside the unit on program PCB (see step 8 in **INSTALLATION** Page 7, Fig. 5).



## MAINTENANCE

- Periodic cleaning of the unit is recommended.
- Remove cover and clean dryer dust lint.
- Wipe the cover with a damp cloth and mildcleaning solution. Do not soak.
- Never use abrasives to clean the cover.

## DIAGNOSTICS & REMEDIES

SYMPTOM	CORRECTIVE ACTION
Hand dryer fails to start	Ensure the breaker supplying the dryer is operational. If it is, disconnect the power and remove the hand dryer cover. Check all the wire connection to sure they are well fixed. Turn on power and verify correct power at terminal block. If it does not work then replace circuit board.
Hand dryer turns on/off erratically or not sensitive enough	Ensure that there is no obstruction on or in front of the infrared sensor zone. Clean any dirt off the sensor lens. Try adjusting the sensitivity potentiometer on program board. If it still does not work, replace circuit board and sensor board.
Hand dryer does not produce warm air	Check if the heat element switch is set for power on. Check if the heat element is broken. If yes, replace with a new one.
Hand dryer makes ticking noise	Check the motor brush wear down condition. Replace them if worn out or install a new motor. Disconnect power, remove cover, check to make sure no object is stuck in motor vents.

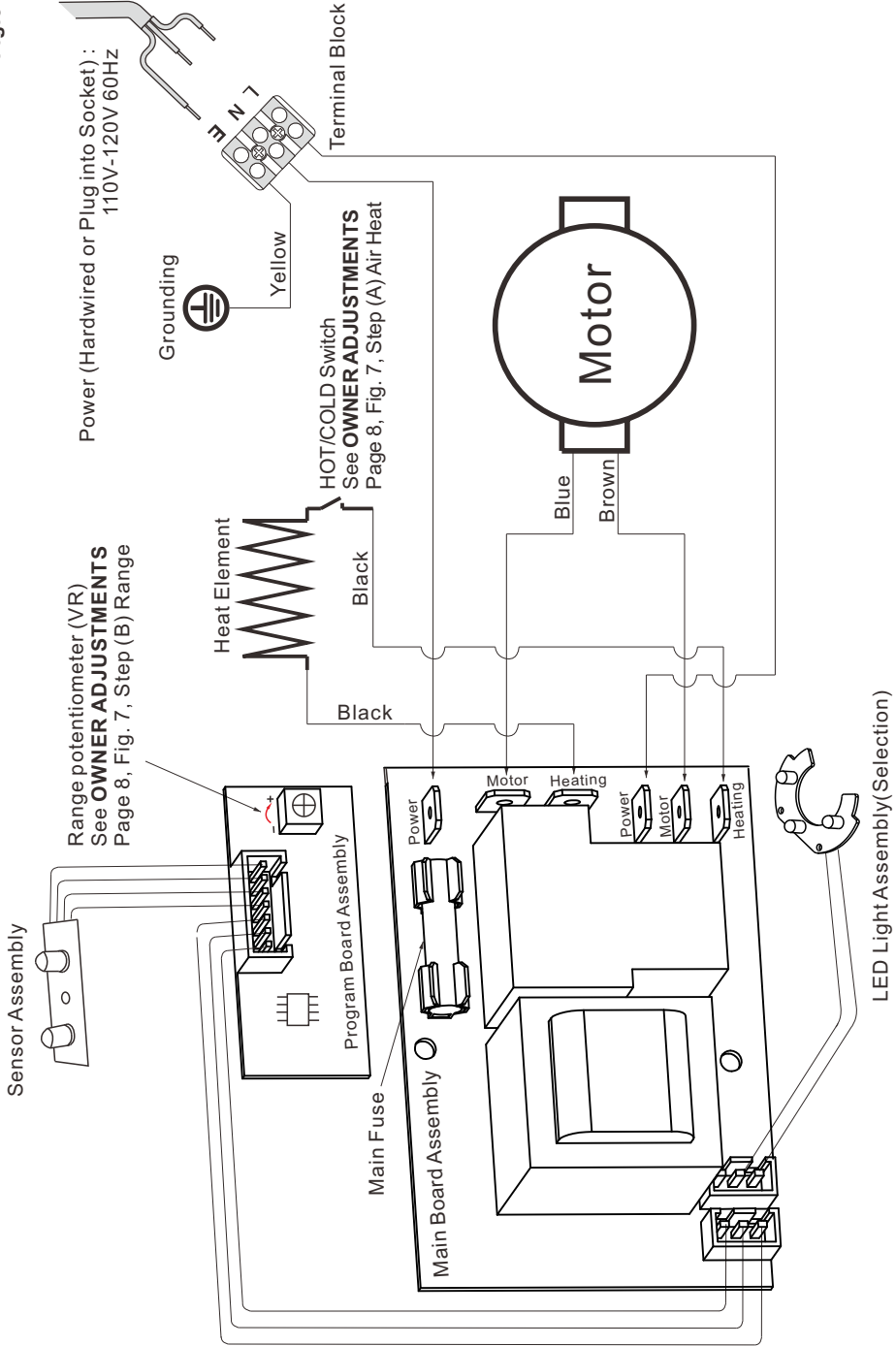
## WARRANTY

All of our dryers are designed and manufactured to provide years of dependable performance. Component parts are guaranteed to be free of defects in material and workmanship for a period of one (1) year from date of original invoice. This guarantee will be honored provided that the dryer is installed and maintained in accordance with the instructions. Parts damaged during the installation are the purchaser's responsibility. ASI's warranty covers defects exclusively, and only liability for the replacement of defective parts will be accepted. This warranty does not cover wear and tear, or misuse and abuse. Transportation, freight cost and labor are also excluded. Defective parts must be returned prepaid, accompanied by the unit serial number, to the point of purchase.

This warranty is granted solely to the original purchaser of the unit and is subject to registration.

# HAND DRYER CIRCUIT DIAGRAM

Fig.8



# HAND DRYER CIRCUIT DIAGRAM

Fig.8

