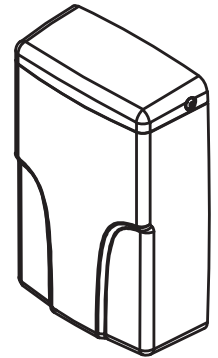
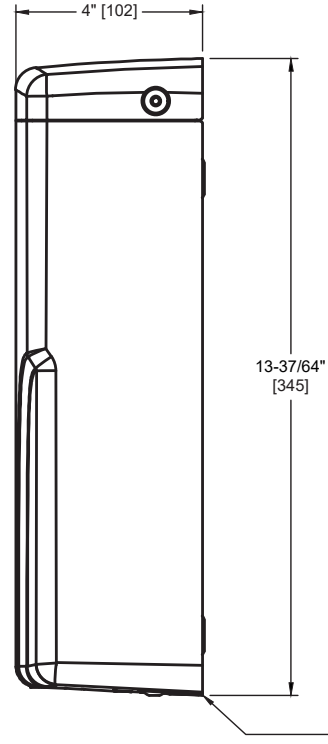
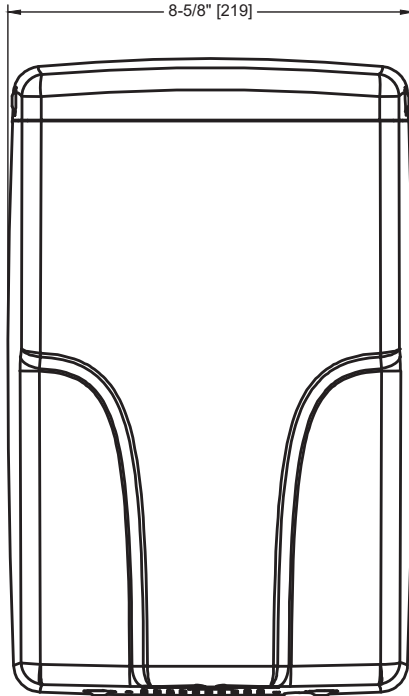


**TURBO-Pro™ High-Speed ADA Hand Dryer – Matte Black**

Hand Dryers

MasterFormat Section 10 28 13



13-37/64"  
[345]

MAIN COVER

Scan for Information



**SUSTAINABILITY/LEED**

EAp2 (0)  
EA 1 (1-19)

**NOTE:**  
ALL DIM'S INCH [MM]  
ILLUSTRATION FOR REF ONLY AND NTS  
FOR CLEANING INSTRUCTIONS SEE APPROPRIATE SECTIONS IN  
PRODUCT CARE & MAINTENANCE BULLETIN (PCM) ON ASI WEBSITE

**PRODUCT OVERVIEW**

Elegant ADA-compliant, high-speed, automatic hand dryer. A HEPA filter is used to purify the air before it dries hands. The replaceable filter is housed in a separate chamber, which allows it to be easily accessed for removal without the need to disconnect the dryer. The dryer provides operating flexibility—the owner controls air temperature as well as air speed to suit their needs and a 5 year warranty provides peace of mind. Optional voltages available.

**KEY FEATURES & SPECIFICATIONS**

- Compact - ADA Compliant with a Removable HEPA Filter
- 68 dB-A (Min) / 73.8 dB-A (Max)
- Matte Black Powder Coated Steel
- Drying time of less than 15 seconds
- Surface Mounted - "Touch Free" Operation
- Automatic - AC - Available in 110 - 120V or 220 - 240V - "No Touch"
- Owner Adjustable Air Speed AND Heat (with On-Off switch)

**OPERATION & MAINTENANCE**
**Automatic "No-Touch"**

Activate dryer by placing hands under sensor. LED in sensor array shines blue light during operation to guide user to optimal hand placement for shorter drying time. Dryer automatically shuts off after user removes hands from sensor zone.

**TECHNICAL INFORMATION / PRODUCT PROPERTIES**

Property	Value							
Dimensions	8-5/8" x 13-9/16" x 4" [219 x 345 x 102]							
Construction	Matte Black Powder Coated Steel							
Mounting	Surface Mounted - "Touch Free" Operation							
Electrical	Choice of 110-120V / 208/-240V AC							
Motor	HP	RPM (x1000)	Fan Type	Airflow	Heating Element	Air Output Temperature	Timing	Drying Time
Brush Type Dual Ball Bearings	0.67	16-29	Multi-Inlet Centrifugal	55-72 CFM (93-122 m <sup>3</sup> /h)	Nichrome wire with auto reset circuit breaker	131 <sup>o</sup> F ± 5 @ 77 <sup>o</sup> F (55 <sup>o</sup> C ± 2.8 @ 25 <sup>o</sup> C) Ambient room temp	Automatic 60 second Shut-Off	Less Than 15 Seconds

**INSTALLATION**

Surface mount unit on wall with four (4) 1/4" [6] washers and screws or bolts (supplied) through holes (provided) in a corrosion protected steel back plate into suitable prepared mountings (by others) or other suitable mounting hardware (by others) to suit wall conditions. Electrical service is supplied and connected (by others) prior to installing cover. Cover is secured to back plate with recessed, pin-hex socket head cap screws (supplied) on bottom. For compliance with ICC/ANSI A -117.1-2003 and 2010 ADA Accessibility Standards for adults, install unit with bottom of sensor lens 48" [1219] maximum Above Finished Floor (AFF) if unobstructed reach access is provided or 44" [1118] max AFF if forward reach over an obstruction (e.g. vanity or commode) with reach depth greater than 20" [508] and less than 25" [635] is only provided. For general utility, install unit so that sensor lens is 44" [118] to 54" [1372] AFF. See OM and Template MT & IG supplied with unit.

**OPTIONS**
**Voltage**

0196-1-41: 110-120 VAC - 50/60 Hz - 8.33 A (Max.) - 1250W

0196-2-41: 220-240 VAC - 50/60 Hz - 4.17 A (Max.) - 1250W

**WARRANTY**

Five (5) Years from date of Invoice