

SAFE-DRI™ MENTAL HEALTH APPROVED HIGH-SPEED HAND DRYER

Security Accessories

MasterFormat Section 10 28 13

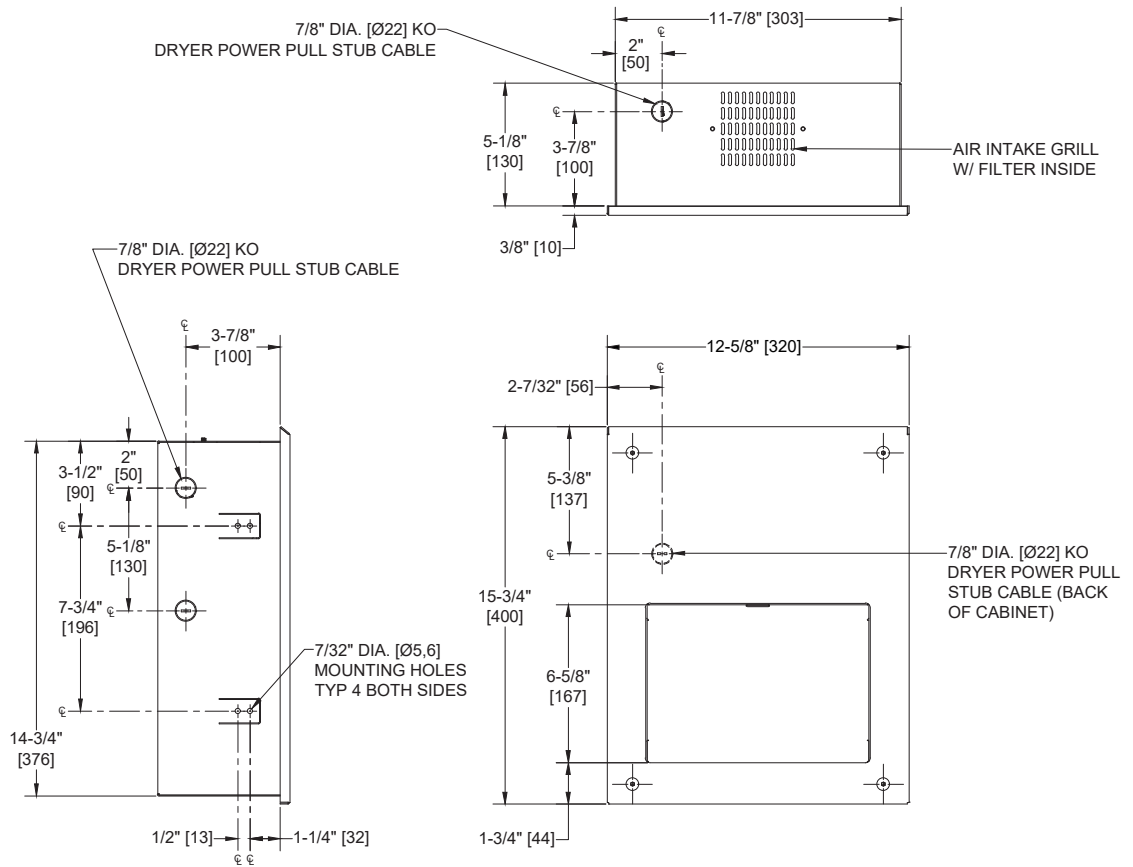


Scan for Information



SUSTAINABILITY/LEED

MR 4.1 (1) EQ 4.1 (1)
MR 4.2 (1) EQ 4.2 (1)
MR 6 (1) EQ 4.4 (1)



NOTE:
ALL DIM'S INCH [MM]
ILLUSTRATION FOR REF ONLY AND NTS
FOR CLEANING INSTRUCTIONS SEE APPROPRIATE SECTIONS IN
PRODUCT CARE & MAINTENANCE BULLETIN (PCM) ON ASI WEBSITE

PRODUCT OVERVIEW

Anti-ligature dryer designed for Behavioral Health environments—angled top, welded corners and single tube exhaust prevent looping, tying off, wedging and prying. Tamper-resistant 18 gauge stainless steel cover, and flush pin-hex security screws. Optional voltages available.

KEY FEATURES & SPECIFICATIONS

- Mental Health facility approved dryer
- Anti-Ligature design
- 18 gauge type 304 Stainless Steel - Satin Finish
- Anti-Ligature design
- ADA compliant

OPERATION & MAINTENANCE

User activates dryer by placing hands under sensor. LED in sensor array shines blue light during operation to guide user to optimal hand placement for shorter drying time. Dryer automatically shuts off after time-out when user removes hands from sensor zone.

TECHNICAL INFORMATION / PRODUCT PROPERTIES

Property	Value							
Dimensions	12-5/8" x 15-3/4" x 5-4/16" [320 x 400 x 140]							
Construction	Type 304 Stainless Steel - Satin Finish							
Mounting	Recessed							
Electrical								
Motor	HP	RPM (x1000)	Fan Type	Airflow	Heating Element	Air Output Temperature	Timing	Drying Time
Brush Type Dual Ball Bearings	0.67	29	Multi-Inlet Centrifugal	60 CFM (102 m3/h)	Nichrome wire with auto reset circuit breaker	131 ^o F ± 5 @ 77 ^o F (55 ^o C ± 2.8 @ 25 ^o C) Ambient room temp	Automatic 60 second Shut-Off	Less Than 15 Seconds

INSTALLATION

Mount unit cabinet in wall recess with four (4) # 10 [M5] screws (not supplied) into suitably prepared mountings (by others) or other suitable mounting hardware (by others) to suit wall conditions. For masonry walls use expansion bolts or anchors for 1/4" [M6] screws. See unit diagram for electrical service cable rough-in location. Electric service of 100-240VAC 20A 50/60 Hz (provided by others) is brought to Rough Wall Opening (RWO) at location for dryer indicated on diagram above and is hooked up (by others) in accordance with schematic and Owner's Manual provided with unit. Electrical service is supplied and connected (by others) prior to installing cover. Cover is secured to cabinet with four (4) pin-hex socket flat-head security screws (supplied). For compliance with ICC/ANSI A-117.1 and 2010 ADA Accessibility Standards install unit with top of dryer hand chamber 48" [1219] max Above Finished Floor (AFF) if clear floor reach access is provided or 46" [1168] max AFF if side reach access over an obstruction (e.g. vanity) with reach depth greater than 10" [254] and less than 25" [635] is only provided or 44" [1118] max AFF if forward reach over an obstruction (e.g. commode) with reach depth greater than 20" [508] and less than 25" [635] is only provided. For general utility install unit so that top of dryer hand chamber is 44" [1118] to 50" [1270] AFF. Note that top of RWO is 9/32" [7] below top of unit. For installation of two or more dryers, dryers should be no closer than 24" [610] on center. All installations require air intake channel (by others) above. See Owners Manual (OM) and Mounting Template (MT) supplied with unit.

Rough Wall Opening (RWO) required is 12-1/4" [311] W x 15-3/16" [386] H x 5-1/4" [133] D Min with clear channel up to plenum for air intake

OPTIONS

Voltage
 0198-MH-1 (115-120V)
 0198-MH-2 (208-240V)

WARRANTY

Five (5) Years from date of Invoice