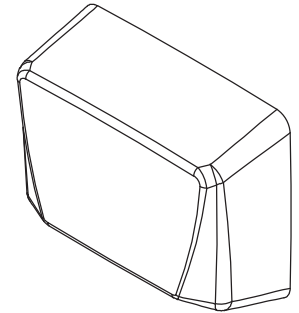
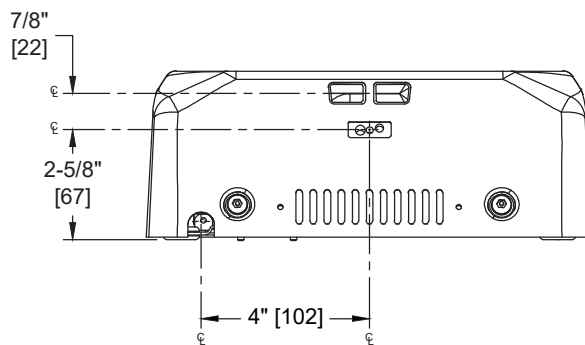
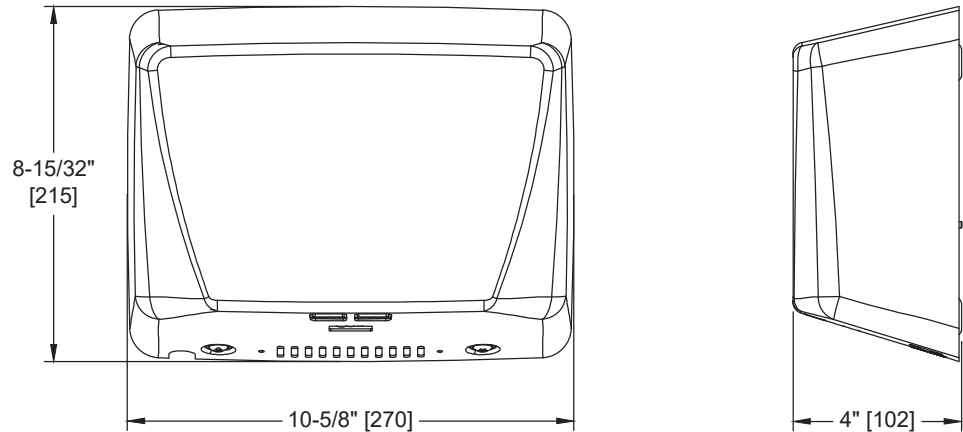


TURBO ADA™ HIGH-SPEED Hand Dryer (208-240V) – ADA COMPLIANT – 93 Satin Stainless Steel

Hand Dryers

MasterFormat Section 10 28 13



Scan for Information



SUSTAINABILITY/LEED

MR 4.1 (1) EQ 4.1 (1) EAp2 (0) EA
MR 4.2 (1) EQ 4.2 (1) 1 (1-19)
MR 6 (1) EQ 4.4 (1)

NOTE:
ALL DIM'S INCH [MM]
ILLUSTRATION FOR REF ONLY AND NTS
FOR CLEANING INSTRUCTIONS SEE APPROPRIATE SECTIONS IN
PRODUCT CARE & MAINTENANCE BULLETIN (PCM) ON ASI WEBSITE

PRODUCT OVERVIEW

Fast drying, less than 15 seconds, and automatic operation using infrared sensor with auto-resetting thermostat. Owner- adjustable air speed & temperature and on/off heating options with shut off when user removes hands from sensor zone. (208-240V) Satin Stainless Steel finish.

KEY FEATURES & SPECIFICATIONS

- ADA Compliant <4" Depth / <15 Sec. Dry Time
- 68.9 dB-A (Min) / 74.3 dB-A (Max)
- 18 gauge type 304 Stainless Steel - Satin Finish
- Surface Mounted - "Touch Free" Operation
- Automatic - AC - 208-240V - "No Touch"

OPERATION & MAINTENANCE

Automatic "No-Touch"

Activate dryer by placing hands under sensor. LED in sensor array shines blue light during operation to guide user to optimal hand placement for shorter drying time. Dryer automatically shuts off after user removes hands from sensor zone. Complete OM and MT-IG are supplied with unit for future reference of Installation Requirements, Operating Conditions and Service.

TECHNICAL INFORMATION / PRODUCT PROPERTIES

Property	Value							
Dimensions	10-5/8" x 8-15/32" x 4" [270 x 215 x 102]							
Construction	Type 304 Stainless Steel - Satin Finish							
Mounting	Surface Mounted - "Touch Free" Operation							
Electrical	208-240V AC							
Motor	HP	RPM (x1000)	Fan Type	Airflow	Heating Element	Air Output Temperature	Timing	Drying Time
Brush Type Dual Ball Bearings	0.67	16-29 (Adj.)	Multi-Inlet Centrifugal	63.6 CFM (108 m3/h)	Nichrome wire with auto reset circuit breaker	131 ^o F ± 5 @ 77 ^o F (55 ^o C ± 2.8 @ 25 ^o C) Ambient room temp	Automatic 60 second Shut-Off	Less Than 15 Seconds

INSTALLATION

Surface mount unit on wall with four (4) 1/4" [6] washers and screws or bolts (supplied) through holes (provided) in a corrosion protected steel back plate into suitable prepared mountings (by others) or other suitable mounting hardware (by others) to suit wall conditions. Electrical service is supplied and connected (by others) prior to installing cover. Cover is secured to back plate with recessed, pin-hex pan head cap screws (supplied) opened with security wrench (supplied). For compliance with ICC/ANSI A-117.1-2003 and 2010 ADA Accessibility Standards for adults install unit with bottom of sensor lens 48" [1219] maximum Above Finished Floor (AFF) if unobstructed reach access is provided or 44" [1118] max AFF if forward reach over an obstruction (e.g. vanity or commode) with reach depth greater than 20" [508] and less than 25" [635] is only provided. For general utility install unit so that sensor lens is 44" [1118] to 54" [1372] AFF. Mounting Template and Installation Guide (MT & IG) is supplied with unit.

OPTIONS

Voltage

0199-2-93: 208-240 VAC - 50/60 Hz - 5.2 A (Max.) - 1000W

0199-1-93: 110-120 VAC - 50/60 Hz - 10.4 A (Max.) - 1000W

WARRANTY

Five (5) Years from date of Invoice