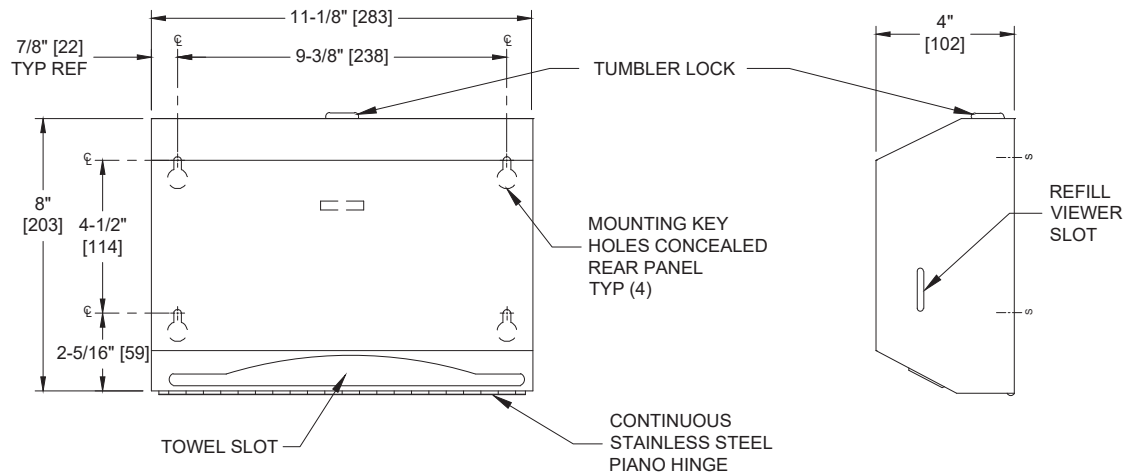


Paper Towel Dispenser - Petite (Multi - C-Fold) -Surface Mounted

Paper Towel Dispensers

Traditional

MasterFormat Section 10 28 13



Scan for Information



SUSTAINABILITY/LEED

MR 4.1 (1) MR 6 (1) EQ 4.2 (1)
MR 4.2 (1) EQ 4.1 (1) EQ 4.4 (1)

NOTE:
ALL DIM'S INCH [MM]
ILLUSTRATION FOR REF ONLY AND NTS
FOR CLEANING INSTRUCTIONS SEE APPROPRIATE SECTIONS IN
PRODUCT CARE & MAINTENANCE BULLETIN (PCM) ON ASI WEBSITE

PRODUCT OVERVIEW

Well-suited for low traffic areas, this unit is similar to the 0210 but reduced capacity to dispense 200 C-fold or 275 multi-fold paper towels without adjustment or adapters and is fitted with tumbler lock and heavy-duty stainless steel piano hinge.

KEY FEATURES & SPECIFICATIONS

- Great for low traffic areas
- Type 304 Stainless Steel - Satin Finish
- Surface Mounted
- Pull Type
- 200 C-Fold OR 275 Multi-Fold

OPERATION & MAINTENANCE

Towels are self-feeding as withdrawn by hand until supply is depleted. Unit may be reloaded with a partial load in-place and will continue to feed properly. Low level of towel supply is indicated from 35% capacity to empty. Unit is a reduced-size model and has less capacity than larger models, therefore it is recommended to use this unit in space-restricted or low traffic areas. Locking door prevents unauthorized access or removal.

TECHNICAL INFORMATION / PRODUCT PROPERTIES

Property	Value
Dimensions	11" [279] W x 8" [203] H x 4" [102] D
Construction	Type 304 Stainless Steel - Matte Black Powder Coated Concealed multi-staked hinge - 3/16" Dia. [Ø5]
Power	N/A
Operation	Manual - Pull Type
Mounting	Surface Mounted
Capacity	200 C-fold or 275 multi-fold paper towels

INSTALLATION

Surface mount unit on wall or partition using five #10 self-threading screws (by others) through concealed mounting holes provided. Four mounting holes through back are keyhole slots for ease in hanging unit on pre-installed screws. Center top mounting hole is horizontal slot for ease of adjustment and vandal resistant locking. For compliance with 2010 ADA Accessibility Standards install unit so that centerline of towel dispenser slot is 48" [1219] maximum above finished floor (AFF).

WARRANTY

One (1) Year from date of Invoice