

**Facial Tissue Dispenser – Apron of Vanity Mounted**

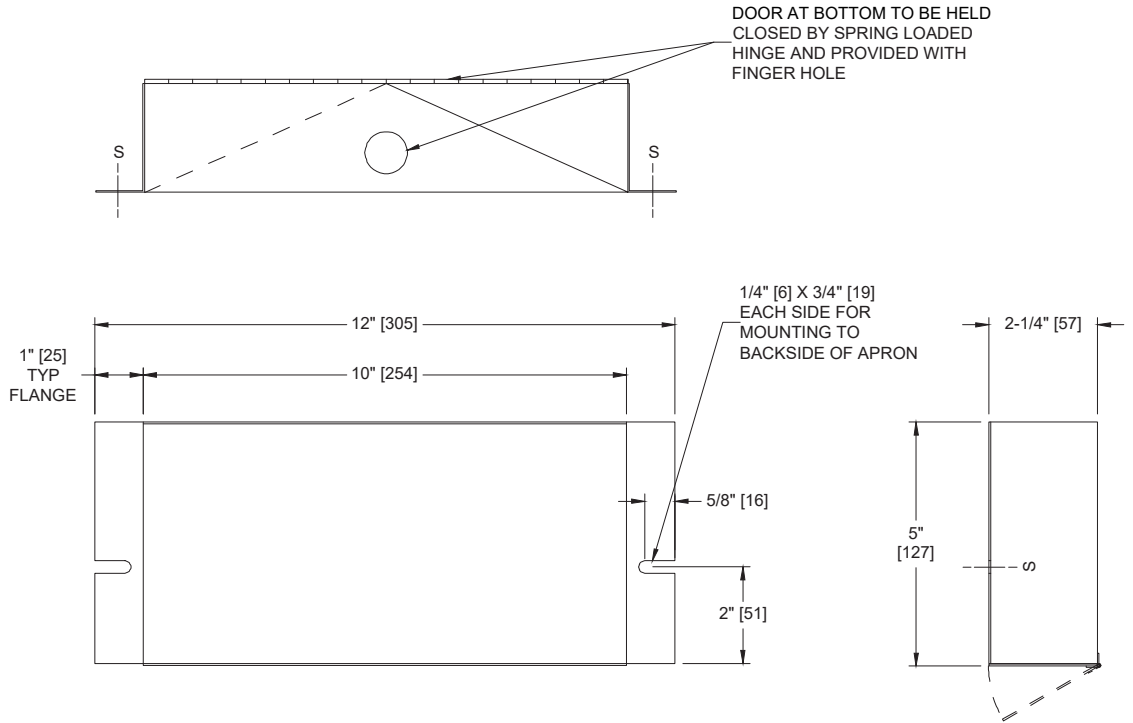
Specialty Accessories

MasterFormat Section 10 28 13



**SUSTAINABILITY/LEED**

MR 4.1 (1) MR 6 (1) EQ 4.2 (1)  
MR 4.2 (1) EQ 4.1 (1) EQ 4.4 (1)



**NOTE:**  
ALL DIM'S INCH [MM]  
ILLUSTRATION FOR REF ONLY AND NTS

**PRODUCT OVERVIEW**

Unit accommodates a standard box of facial tissues behind a vanity apron (by others) for user-demand pull-withdrawal through a pre-cut slot (by others). Fabricated of 20 gauge corrosion protected steel.

**KEY FEATURES & SPECIFICATIONS**

- Accommodates a standard box of facial tissues behind a vanity apron
- Corrosion Protected Steel
- Vanity Mounted

**OPERATION & MAINTENANCE**

Towels are self-feeding from loaded supply box until supply is depleted. Unit is reloaded with opened full box and first sheet is fed through apron slot to start.

**TECHNICAL INFORMATION / PRODUCT PROPERTIES**

Property	Value
Dimensions	12" [305] W x 5" [127] H x 2-1/4" [57] D
Construction	Corrosion Protected Steel
Mounting	Vanity/Counter Mount
Capacity	

**INSTALLATION**

Center tissue box holder on apron towel cut-out. Pencil mark backside of apron to locate slots. Drill pilot holes to suit screws to be used, mount box and fasten with screws (by others).

**ADDITIONAL INFORMATION**

N/A

**WARRANTY**

One (1) Year from date of Invoice