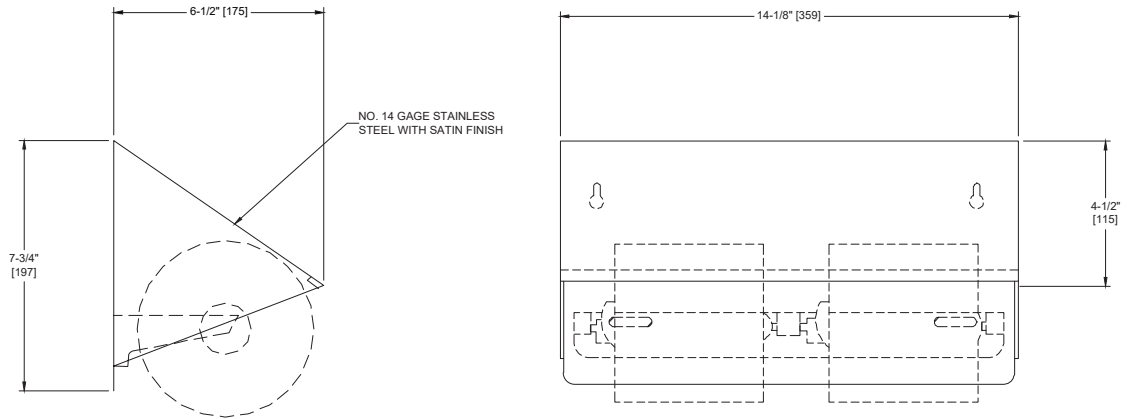


Vandal-Resistant Hood for Model 0264-1 (Hood Only) – Surface Mounted

Toilet Tissue Dispensers

MasterFormat Section 10 28 13



NO. 14 GAGE STAINLESS STEEL WITH SATIN FINISH

Scan for Information



SUSTAINABILITY/LEED

NOTE:
ALL DIM'S INCH [MM]
ILLUSTRATION FOR REF ONLY AND NTS

PRODUCT OVERVIEW

Vandal Proof Hood for Double Roll Toilet Tissue Holder is made of 14 gauge satin finish stainless steel for use only with 0264-1 (specified and purchased separately). All exposed surfaces shall be Satin finish.

KEY FEATURES & SPECIFICATIONS

- Vandal Resistant Hood - for 0264-1
- Type 304 Stainless Steel - Satin Finish
- Surface Mounted
- PART - Hood Only

OPERATION & MAINTENANCE

Unit is to be used in conjunction with Toilet Paper Holder Model No's 0264-1, 0264-12, 0264-1A and 0264-1A2 (not supplied) and prevents application of downward force on TPH.

TECHNICAL INFORMATION / PRODUCT PROPERTIES

Property	Value
Dimensions	14-1/8" [359] W x 7-3/4" [197] H x 6-1/2" [175] D
Construction	Type 304 Stainless Steel - Satin Finish
Mounting	Surface Mounted
Capacity	For use with 0264-1 dispenser

INSTALLATION

Unit is surface mounted on wall or partition using 1/4" or #10 Theft Proof Fasteners such as one-way screws (not supplied). Two (2) mounting holes through back are "keyhole" slots for ease in hanging unit on pre-installed screws and two (2) lower mounting holes match up with mounting hole locations in 0264-1, 0264-12, 0264-1A and 0264-1A2. Selected TPH (not supplied) mounts over hole through back plate.

OPTIONS

WARRANTY

One (1) Year from date of Invoice