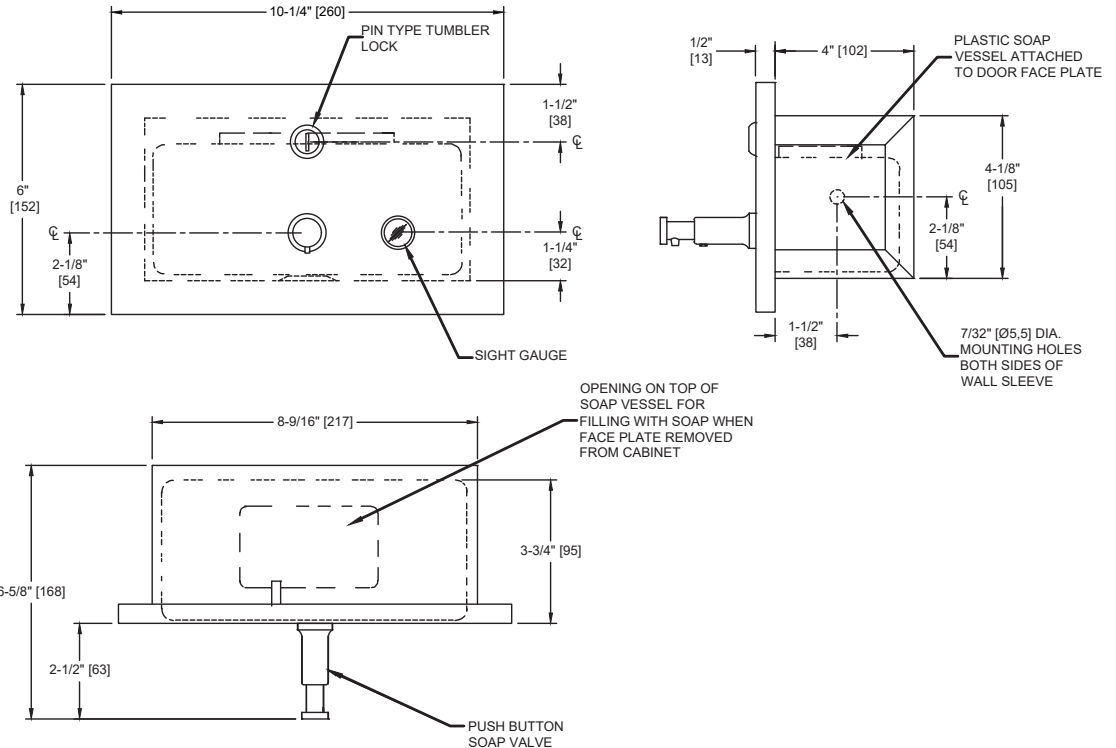


Soap Dispenser (Liquid) Horizontal – Recessed

Soap Dispensers

MasterFormat Section 10 28 13



Scan for Information



SUSTAINABILITY/LEED

MR 4.1 (1) MR 6 (1) EQ 4.2 (1)
MR 4.2 (1) EQ 4.1 (1) EQ 4.4 (1)

NOTE:
ALL DIM'S INCH [MM]
ILLUSTRATION FOR REF ONLY AND NTS
SEE SOAP DISPENSER CARE & MAINTENANCE
DOCUMENT ONLINE FOR CLEANING

PRODUCT OVERVIEW

Stainless steel with satin finish, all-purpose soap valve, 57 fl. oz. (1.7 L) capacity of liquid, lotion or detergent soap, synthetic detergents and antibacterial soaps. Shall dispense contents from a stem-type push-button valve. Valve operation complies with ADAAG and ICC/ANSI A-117.1 by providing actuation with a force less than 5 lbsf (22.2N) requiring only one (1) hand and with no tight grasping, pinching or twisting of the wrist required. Soap Requirements: Proper usage of this dispenser requires, that only soap within the following range for viscosity and pH may be used. Viscosity Range (mPa•s or cP): 100 – 2500. pH Range: 5.5 ~ 8.5

KEY FEATURES & SPECIFICATIONS

- Horizontal - complies with ADA codes
- Actuates with less than 5lbs of force
- Type 304 Stainless Steel - Satin Finish
- Recessed
- Manual Push Button Operation
- Liquid Soap - 57 oz. (1.7 L) Capacity

OPERATION & MAINTENANCE

Pushing valve button manually dispenses soap until supply is depleted. Unit may be refilled easily with a partial load in-place and will continue to feed properly until soap level is below valve intake port. Tank supply is refilled manually on cycle determined by maintenance needs.

TECHNICAL INFORMATION / PRODUCT PROPERTIES

Property	Value
Dimensions	9" x 4-7/8" x 4" [229 x 124 x 102]
Construction	Type 304 Stainless Steel - Satin Finish
Mounting	Recessed
Options	N/A

INSTALLATION

Unit is mounted in wall recess using two (2) #10 self-threading screws (by others) through concealed mounting holes provided. For compliance with ADA Accessibility Guidelines, install unit so that valve is 48" [1219] maximum Above Finished Floor (AFF) only if clear floor reach access is provided or 46" (1168) MAX AFF if side reach over an obstruction only is provided (e.g. vanity). Note that top of RWO is 9/16" (14) below top of unit.

Rough Wall Opening (RWO) required is 9" W x 4-7/8" H x 4" D minimum [229 x 124 x 102]

WARRANTY

One (1) Year from date of invoice