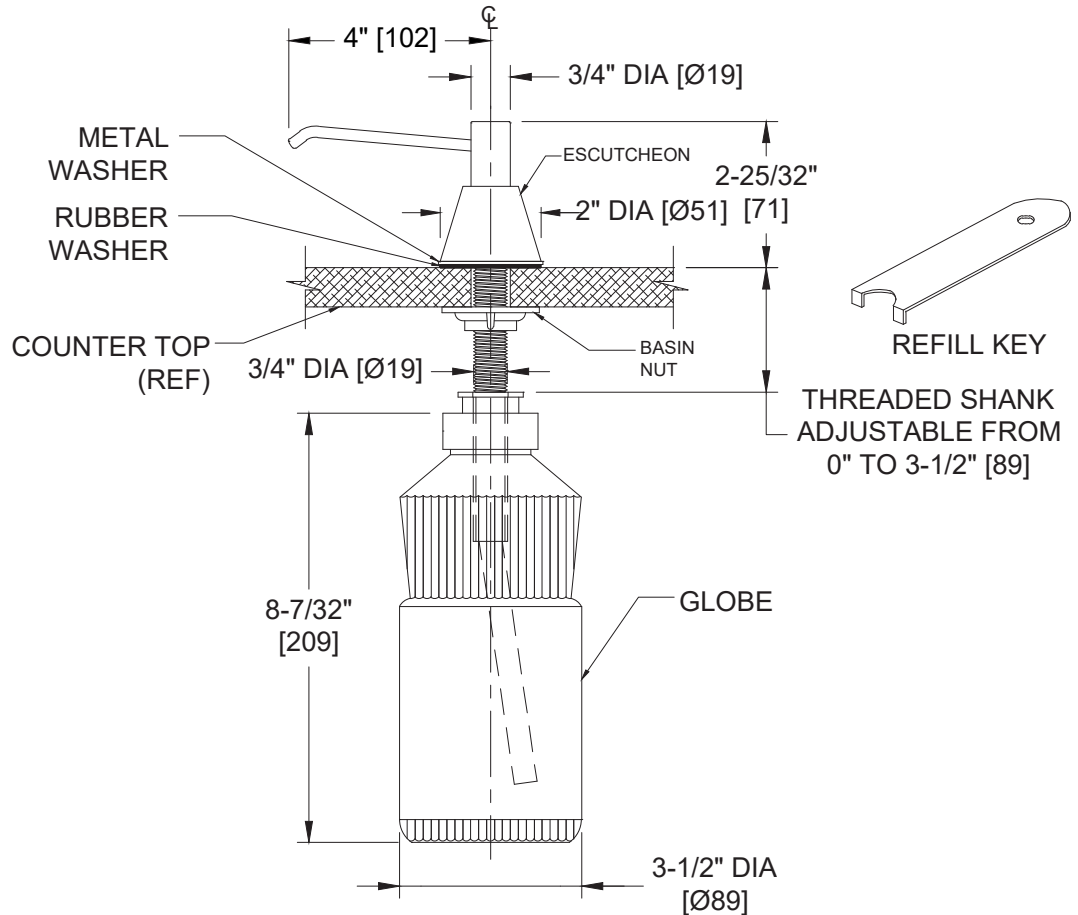


Lavatory Basin Soap Dispenser 4" Spout, 4" Shank – 34 oz.

Soap Dispensers

MasterFormat Section 10 28 13



NOTE:
ALL DIM'S INCH [MM]
ILLUSTRATION FOR REF ONLY AND NTS
SEE SOAP DISPENSER CARE & MAINTENANCE
DOCUMENT ONLINE FOR CLEANING

Scan for Information



SUSTAINABILITY/LEED

MR 4.1 (1) MR 6 (1) EQ 4.2 (1)
MR 4.2 (1) EQ 4.1 (1) EQ 4.4 (1)

PRODUCT OVERVIEW

Corrosion-resistant valve with stainless steel spout and chrome plated brass escutcheon plate. Dispenses 34 oz. (1.0 liter) of liquid and lotion soaps, synthetic detergents and antibacterial soaps. Soap container is translucent, shatter-resistant polyethylene. Vandal-resistant spout shall rotate 360° without damage to unit. Soap Requirements: Proper usage of this dispenser requires, that only soap within the following range for viscosity and pH may be used. Viscosity Range (mPa*s or cP): 100 – 2500. pH Range: 5.5 ~ 8.5

KEY FEATURES & SPECIFICATIONS

- Corrosion-resistant valve
- Vandal-resistant spout rotates 360° without damage to unit.
- Stainless steel spout
- Chrome Plated Brass escutcheon plate
- Vanity Mounted
- Various spout size and capacity options available

OPERATION & MAINTENANCE

Dispense soap manually by pushing down on the spout stem. Dispense volume is typically 0.03 fl. oz. (0.8 ml) for liquid soap in correct viscosity range. Dispenser is refilled from above counter top by using the special refill key to unlock the escutcheon and remove the valve body with dip tube from the shank to expose reservoir opening. Pour soap directly into the opening until the level reaches the neck of the reservoir below the vanity.

TECHNICAL INFORMATION / PRODUCT PROPERTIES

Property	Value
Dimensions	3-7/16" x 10-21/32" [87 x 271]
Construction	Stainless steel spout with chrome Plated Brass escutcheon plate.
Mounting	Vanity/Counter Mount
Options	(C) - 20 ounce (592 ml) polyethylene globe (D) - 6" [152] long stainless steel spout (64) - 1" [25] height chrome plated spacer (not shown)

INSTALLATION

Unit is typically located adjacent to a flush mounted lavatory and installed through a 7/8" diameter [22 dia.] cut out (by others) in counter top. An adjustable threaded shank allows for installation in counter tops up to 3-1/2" [89] thick.

WARRANTY

One (1) Year from date of invoice