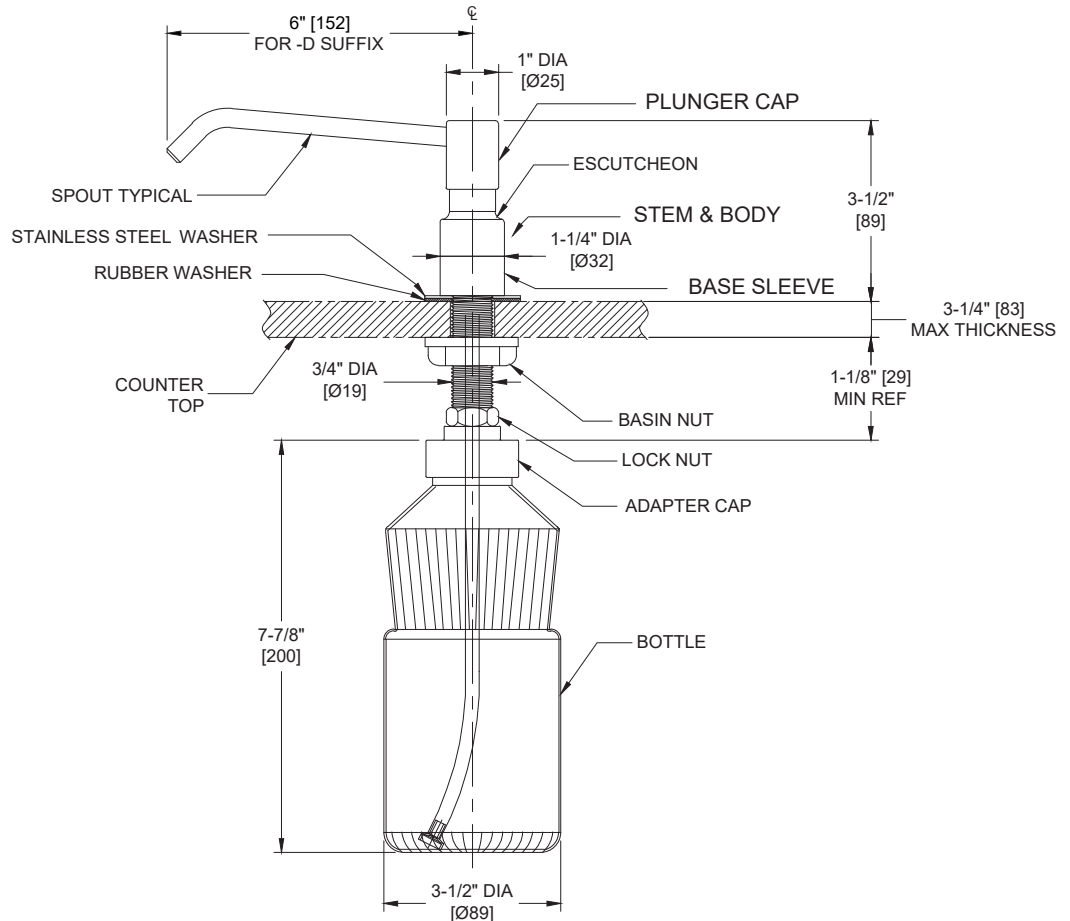


Foam Soap Dispenser 6" Spout – 34 oz. – Vanity Mounted

Soap Dispensers

MasterFormat Section 10 28 13



NOTE:
ALL DIM'S INCH [MM]
ILLUSTRATION FOR REF ONLY AND NTS
SEE SOAP DISPENSER CARE & MAINTENANCE
DOCUMENT ONLINE FOR CLEANING

Scan for Information



SUSTAINABILITY/LEED

MR 4.1 (1) MR 6 (1) EQ 4.2 (1)
MR 4.2 (1) EQ 4.1 (1) EQ 4.4 (1)

PRODUCT OVERVIEW

Dispenser plunger cap, stem and body, spout, escutcheon and base sleeve fabricated of stainless steel. Soap container is translucent, shatter-resistant HDPE and is filled by removing the tank from under the vanity. ADA compliant. Capacity: 34 oz. (1.0 L) foam soap. Soap Requirements: Proper usage of this dispenser requires, that only soap within the following range for viscosity and pH may be used. Viscosity Range (mPa•s or cP): 1-100. pH Range: 5.5 ~ 8.5.

KEY FEATURES & SPECIFICATIONS

- Manual Pump Action Dispensing
- 6" Spout
- Type 304 Stainless Steel - Satin Finish
- Vanity Mounted
- Manual
- Foam Soap - 34 oz. (1.0 L) Capacity

OPERATION & MAINTENANCE

Soap is manually dispensed by pushing down on the Plunger Cap. Dispenser is refilled by either unscrewing the Stem & Body to expose the internal fill opening or by removing the tank from under vanity. Soap will continue to feed properly until soap level is below top of intake bottom fitting. Soap supply is replenished manually on a schedule determined by maintenance needs.

TECHNICAL INFORMATION / PRODUCT PROPERTIES

Property	Value
Dimensions	3-1/2" x 15-3/4" [89 x 372] (max height) - Spout Projection: 6" [152]
Construction	Type 304 Stainless Steel - Satin Finish
Mounting	Surface Mounted
Options	N/A

INSTALLATION

Unit is typically located adjacent to a flush mounted lavatory, through 7/8" diameter [22 dia.] cut out (by others) in counter top. The threaded shank allows for installation in counter tops up to 3-1/4" [83] thick.

WARRANTY

One (1) Year from date of invoice