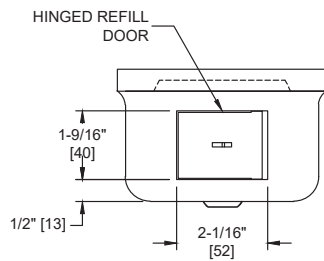
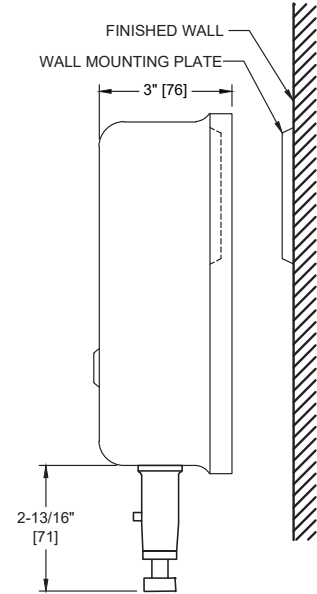
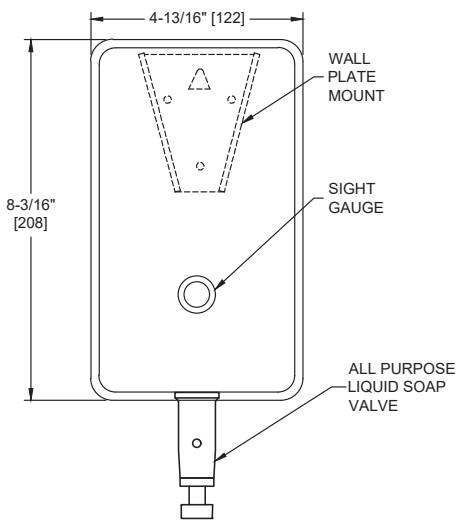


Soap Dispenser (Vertical Valve) – Surface Mounted

Soap Dispensers

MasterFormat Section 10 28 13



NOTE:
ALL DIM'S INCH [MM]
ILLUSTRATION FOR REF ONLY AND NTS
SEE SOAP DISPENSER CARE & MAINTENANCE
DOCUMENT ONLINE FOR CLEANING

Scan for Information



SUSTAINABILITY/LEED

MR 4.1 (1) MR 6 (1) EQ 4.2 (1)
MR 4.2 (1) EQ 4.1 (1) EQ 4.4 (1)

PRODUCT OVERVIEW

40 fl. oz. (1.1 L) capacity soap dispenser in stainless steel satin finish. Comes with an all purpose valve mounted vertically from bottom of container for use in showers and a tamper-resistant refill indicator. Soap Requirements: Proper usage of this dispenser requires, that only soap within the following range for viscosity and pH may be used. Viscosity Range (mPa*s or cP): 100 – 2500. pH Range: 5.5 ~ 8.5

KEY FEATURES & SPECIFICATIONS

- Vertical space saving footprint
- All purpose push type valve
- Type 304 Stainless Steel - Satin Finish
- Surface Mounted
- Manual Push Up Vertical Valve
- Liquid Soap - 40 oz. (1.1 L) Capacity

OPERATION & MAINTENANCE

Soap is manually dispensed by depressing push button. Unit is reloaded through tamper resistant refill cap at top. Soap tank will continue to feed properly until soap level falls below sight gauge. Tank supply is replenished manually on cycle determined by maintenance needs.

TECHNICAL INFORMATION / PRODUCT PROPERTIES

Property	Value
Dimensions	4-13/16" x 11" x 3" [122 x 279 x 76]
Construction	Type 304 Stainless Steel - Satin Finish
Mounting	Surface Mounted
Options	N/A

INSTALLATION

Unit is surface mounted to wall or partition by means of a bracket and screws (supplied). Unit is secured to interlocking wedge bracket and locked in place by means of a locking screw installed through tamper resistant refill cap. Recommended installation for general utility is 44" [1118] AFF or 8" [203] minimum above wash basin.

WARRANTY

One (1) Year from date of invoice