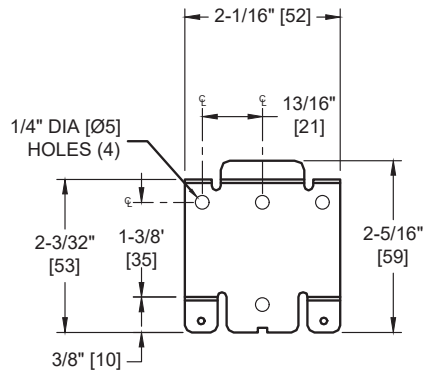
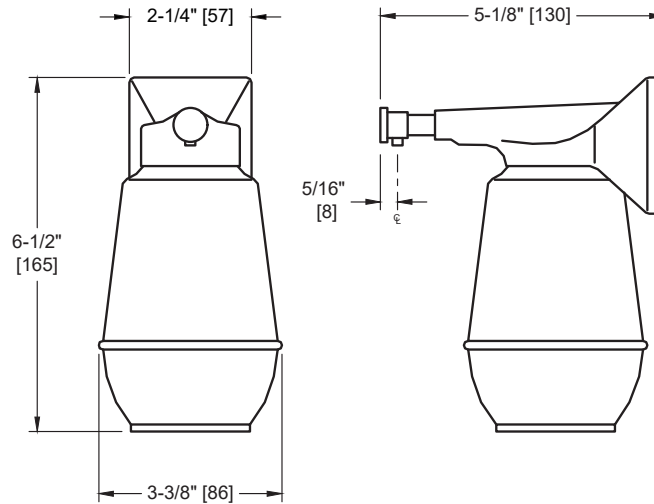


Soap Dispenser (Surgical-type) – Surface Mounted

Soap Dispensers

MasterFormat Section 10 28 13



NOTE:
ALL DIM'S INCH [MM]
ILLUSTRATION FOR REF ONLY AND NTS
SEE SOAP DISPENSER CARE & MAINTENANCE
DOCUMENT ONLINE FOR CLEANING

Scan for Information



SUSTAINABILITY/LEED

PRODUCT OVERVIEW

Dispenses antiseptic solutions and synthetic detergent soaps. Chrome plated brass bracket. Capacity: 16 ounces (0.5 L) white polyethylene globe. Soap Requirements: Proper usage of this dispenser requires, that only soap within the following range for viscosity and pH may be used. Viscosity Range (mPa•s or cP): 100 – 2500. pH Range: 5.5 ~ 8.5

KEY FEATURES & SPECIFICATIONS

- Surgical Soap Dispenser
- Dispenses surgical soaps, antiseptic solutions and synthetic detergents.
- Chrome Plated Brass Bracket
- Surface Mounted
- 16 oz (0.5 L) Capacity

OPERATION & MAINTENANCE

Soap is manually dispensed by depressing push button. Unit is reloaded by unlocking soap tank from wall bracket. Soap will continue to feed properly until empty. Tank supply is replenished manually on cycle determined by maintenance needs.

TECHNICAL INFORMATION / PRODUCT PROPERTIES

Property	Value
Dimensions	3-3/8" x 6-1/2" x 5-1/8" [86 x 165 x 130]
Construction	Chrome Plated Brass
Mounting	Surface Mounted
Options	N/A

INSTALLATION

Unit is secured to a wall plate which is surface mounted to wall or partition using #10 self-threading screws (supplied). For maximum usability and compliance with ADA Accessibility Guidelines, unit should be installed so that valve is 54" [1372] maximum Above Finished Floor (AFF) when clear side access is provided; 48" [1219] AFF with forward reach access only and 46" [1168] with side reach over an obstruction (ie: vanity). Recommended installation is 42" [1066] AFF or 6" [152] minimum above wash basin.

WARRANTY

One (1) Year from date of invoice