



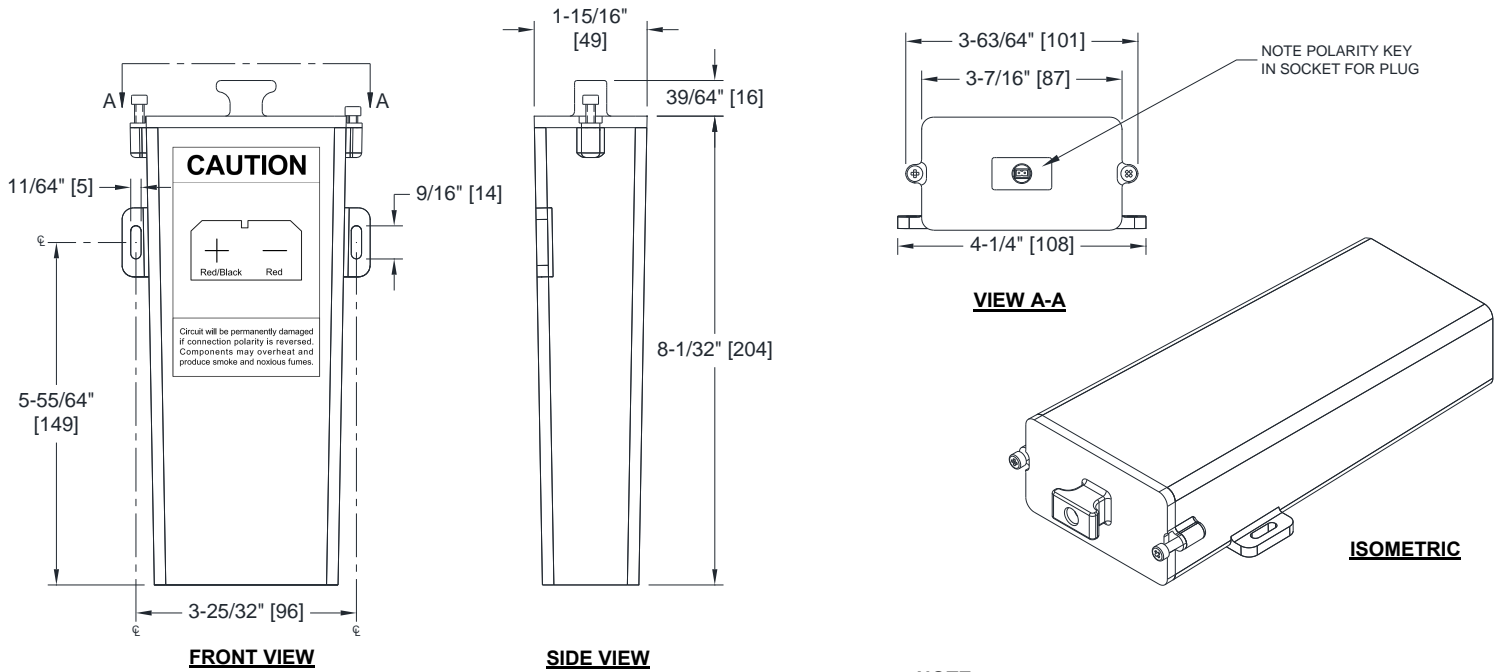
AMERICAN SPECIALTIES, INC.
 441 Saw Mill River Road, Yonkers, NY 10701
 (914) 476.9000 • (914) 476.0688
 www.americanspecialties.com

MODEL №: 0390-BP

ISSUED: 9/14

REVISED: 03 AUG 2020

BATTERY PACK FOR EZ FILL™ SOAP & SANITIZER DISPENSERS



NOTE

ALL DIM'S INCH [MM]

ILLUSTRATION FOR REF ONLY AND NTS

SPECIFICATION

Battery Pack for EZ Fill™ Soap & Sanitizer Dispensers shall hold six (6) D-size 1.5V battery cells (by others), in self-contained gray ABS molded plastic case sealed with an O-ring at top cover. Cover is matching gray ABS molded plastic retained with self-threading Phillips Fillister head screws (provided) tightened through retainer tab slots (provided) into bosses provided integral with case. Connector is provided in key-oriented socket on top of cover for EZ Fill™ Soap and Sanitizer Dispensing Systems. Mounting brackets shall be integral with molded case and shall accommodate № 8 ~ № 10 or M4 screws (by others) in slots that allow 3/8" [10] positioning adjustment. Corners shall be rounded and all edges smooth.

Battery Pack for EZ Fill™ Soap & Sanitizer Dispensers shall be Model № 0390-BP of American Specialties, Inc., 441 Saw Mill River Road, Yonkers, NY 10701-4913

INSTALLATION

Install battery box on wall using two (2) № 8 ~ № 10 or M4 self-threading Phillips pan head screws (by others) through mounting slots provided in side brackets. Locate battery box in position within easy reach of dispenser power cable that affords convenience for unplugging cable and unscrewing cover to replace batteries (by others) during unit lifetime.

OPERATION

Installed screws through brackets securely hold battery box from shifting. Power cable from dispenser is retained in connector for uninterrupted power supply by friction of connector into socket. Even DC power is supplied for operating lifetime of cells installed and battery cells (by others) are replaced on cycle determined by maintenance needs. Do not mix old cells with new cells when replacing for service; only use new cells when replacing old cells.