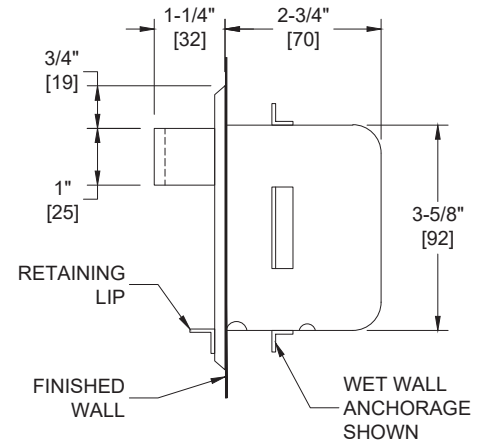
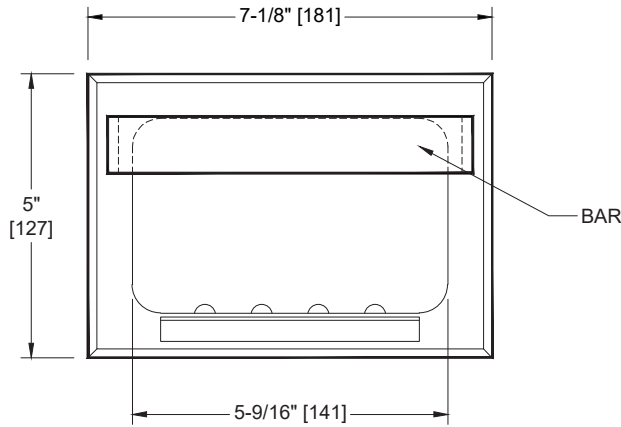


Soap Dish with Bar – Recessed – Wet Wall – Stainless Steel

Specialty Accessories

MasterFormat Section 10 28 13



Scan for Information



SUSTAINABILITY/LEED

MR 4.1 (1) MR 6 (1) EQ 4.2 (1)
MR 4.2 (1) EQ 4.1 (1) EQ 4.4 (1)

NOTE:
ALL DIM'S INCH [MM]
ILLUSTRATION FOR REF ONLY AND NTS

PRODUCT OVERVIEW

Type 304 stainless steel unit with bright polished finish. Includes mounting clamp for stud walls. Similar to 0398, with kit for installing in cement wall.

KEY FEATURES & SPECIFICATIONS

- Designed for Wet Wall installation
- Type 304 Stainless Steel- Polished Bright Finish
- Recessed - Dry Wall

OPERATION & MAINTENANCE

Raised dimples on the soap shelf allow water to drain away and provide gripping surface to retain soap.

TECHNICAL INFORMATION / PRODUCT PROPERTIES

Property	Value
Dimensions	7-1/8" x 5" x 4" [181 x 127 x 102]
Construction	Type 304 Stainless Steel - Satin Finish
Mounting	Recessed - Dry Wall
Capacity	N/A

INSTALLATION

Fill Rough Wall Opening with tile cement. Apply cement to back shell and anchors and immediately insert into wall opening to displace excess cement from RWO to set flange flush with face of finished wall. Clean off excess cement around unit immediately. Allow unit to set and cement to cure before use.

Rough Wall Opening (RWO) required is 6-1/8" W x 4-1/8" H x 3" D [156 x 105 x 76]

ADDITIONAL INFORMATION

WARRANTY

One (1) Year from date of Invoice