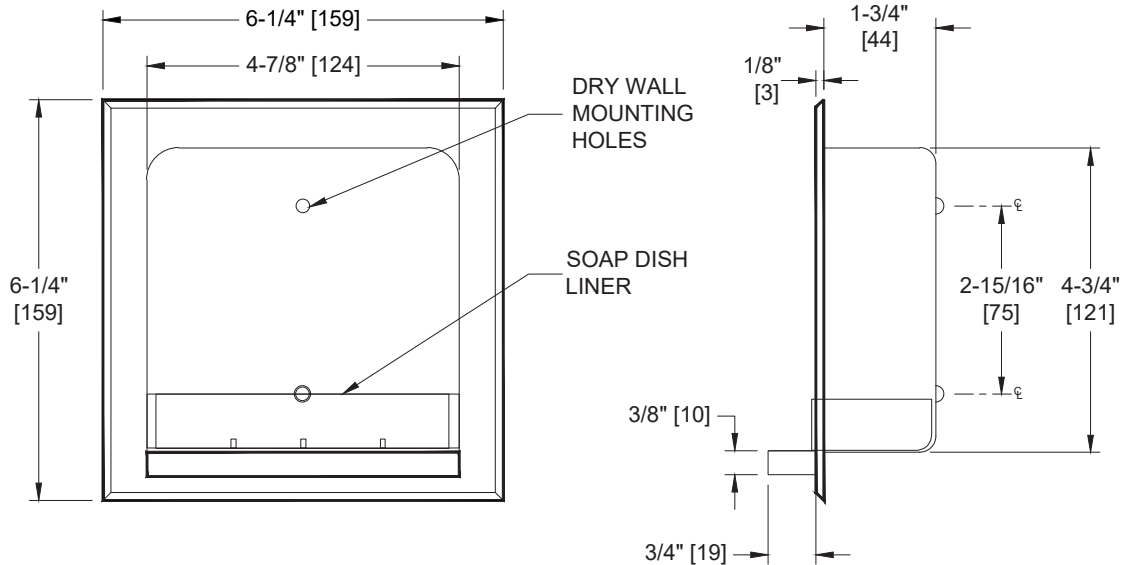


Soap Dish – Recessed, Chrome Plated Zamak

Specialty Accessories

MasterFormat Section 10 28 13



Scan for Information



SUSTAINABILITY/LEED

NOTE:
ALL DIM'S INCH [MM]
ILLUSTRATION FOR REF ONLY AND NTS

PRODUCT OVERVIEW

Fabricated of rust proof Zamak, of one piece seamless construction. Back includes two (2) perforated lugs for wet wall anchoring and two (2) dimpled holes for dry wall installation. A raised lip prevents soap from slipping out. All exposed surfaces are triple plated with copper, nickel and chrome to a mirror finish.

KEY FEATURES & SPECIFICATIONS

- Chrome Plated Zamak
- Recessed

OPERATION & MAINTENANCE

Washroom accessory products require regular surface cleaning, much the same as stainless steel sinks, pots and pans, and eating utensils. As long as a regular cleaning schedule is followed, the best method is cleaning with a soft clean rag moistened with a mild detergent, followed by a water-moistened clean rag and then a dry rag.

TECHNICAL INFORMATION / PRODUCT PROPERTIES

Property	Value
Dimensions	6-1/4" [159] W x 6-1/4" [159] H x 1-3/4" [44] D
Construction	Chrome Plated Zamac
Mounting	Recessed
Capacity	

INSTALLATION

For compliance with 2010 ADA Accessibility Standards unit should be installed with soap shelf 48" [1219] max AFF. Locate on adjacent wall to any shower seat or tub seat (either supplied separately or by others) and within 27" [1219] from wall behind seat to centerline of soap dish.

Rough Wall Opening (RWO) required is 5-1/4" [133] W x 5-1/4" [133] H x 2" [51] D minimum

ADDITIONAL INFORMATION
Installation Options:

For wet wall Recessed Mounting: Apply grout to back of unit and on perforated lugs and push unit into opening to seat flange flush with wall face. Allow unit to set and grout to cure before use.

For Standard Dry Wall Recessed Mounting: Use two (2) #10 stainless steel Philips flat or oval head self-threading or wood screws (by others) of suitable length to penetrate blocking in back of RWO by approximately 1/2" [13]. Apply a continuous bead of silicone sealant (by others) behind flange and under screw heads. Tighten screws to hold flange tight against finished wall face. Wipe off excess sealant immediately.

Optional Method for Dry Wall Recessed Mounting: Order separate item Model #39 dry wall clamp. Loosely attach clamp to the back of the unit with two (2) stainless steel Philips flat or oval head #10B (or 10AB or 10BP) self-threading screws (provided by others to suit wall conditions) through dimpled holes at back of shell. Apply a continuous bead of silicone sealant (by others) behind flange and under screw heads. Insert into RWO and adjust clamp so that it grips inside wall surface through opening. Secure accessory to clamp and wall by tightening screws. Wipe off excess sealant immediately.

WARRANTY

One (1) Year from date of Invoice