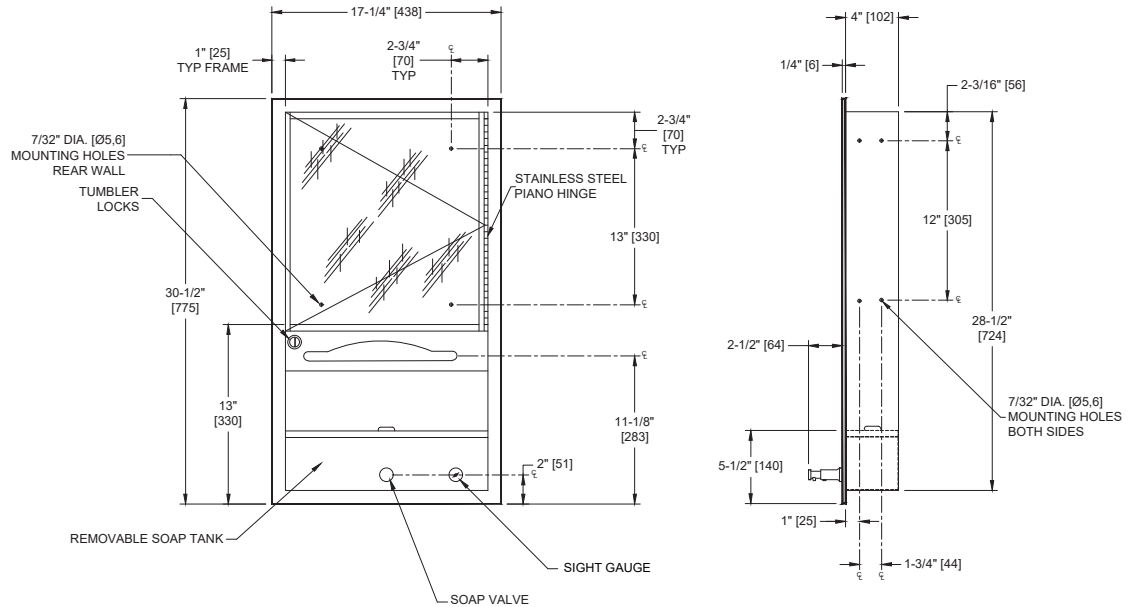


**All Purpose Cabinet – Shelves, Mirror, Towel & Soap Dispenser – Recessed**

Cabinets

Traditional

MasterFormat Section 10 28 13



**SUSTAINABILITY/LEED**

MR 4.1 (1) MR 6 (1) EQ 4.2 (1)  
MR 4.2 (1) EQ 4.1 (1) EQ 4.4 (1)

**NOTE:**  
ALL DIM'S INCH [MM]  
ILLUSTRATION FOR REF ONLY AND NTS

**PRODUCT OVERVIEW**

Combines shelf, mirror, towel dispenser, and 101 fluid ounce (3 liters) soap dispenser. Unit dispenses 600 C-fold or 800 multi-fold paper towels. 15-year mirror silver spoilage warranty. Soap Requirements: Proper usage of this dispenser requires, that only soap within the following range for viscosity and pH may be used. Viscosity Range (mPa·s or cP): 100 – 2500. pH Range: 6.5 ± 1.5. Cabinet, door, dispenser tank and frame shall be fabricated of 22 gauge alloy 18-8 type 304 stainless steel.

**KEY FEATURES & SPECIFICATIONS**

- Concealed Body for mounting behind mirrors
- Towel slot has a fully hemmed edge for snag-free dispensing and user safety
- Type 304 Stainless Steel - Satin Finish
- Recessed
- 600 C-fold OR 800 multi-fold paper towels

**OPERATION & MAINTENANCE**

Soap is manually dispensed by pushing valve button until supply is depleted. Towels are self-feeding until supply is depleted. Unit may be reloaded easily by opening door or tank assembly with a partial load in-place and will continue to feed properly. Tank supply is replenished manually on cycle determined by maintenance needs.

**TECHNICAL INFORMATION / PRODUCT PROPERTIES**

Property	Value
Dimensions	17-1/4" [430] W x 30-1/2" [775] H x 4-1/4" [108] D
Construction	Type 304 Stainless Steel - Satin Finish
Mounting	Recessed
Capacity	600 C-Fold OR 800 Multi-Fold OR 1,100 Single-Fold / 12.0 Gal. (46.0 L) Waste Capacity

**INSTALLATION**

Unit is mounted in wall recess using #10 self-threading screws (by others) through concealed mounting holes provided. For compliance with 2010 ADA Accessibility Standards, unit should be installed so that the bottom edge of the reflecting surface is no higher than 40" [1015] Above finished Floor (AFF). Note that top of Rough Wall Opening (RWO) is 3/4" [19] below top of unit. Rough Wall Opening (RWO) required is 15-3/4" [400] W x 29-1/2" [749] H x 4-1/4" [108] D minimum.

**WARRANTY**

One (1) Year from date of Invoice