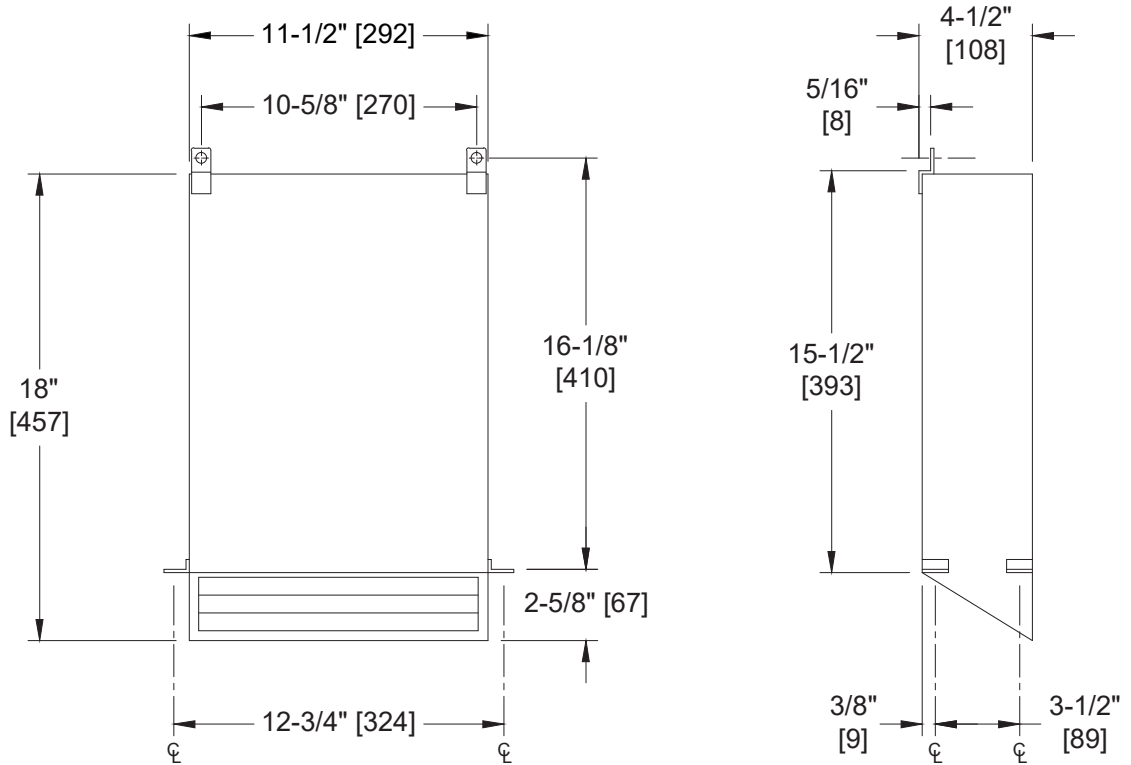


**Towel Dispenser (Concealed Body) – Recessed**

Paper Towel Dispensers

Traditional

MasterFormat Section 10 28 13



Scan for Information



**SUSTAINABILITY/LEED**

MR 4.1 (1) MR 6 (1) EQ 4.2 (1)  
MR 4.2 (1) EQ 4.1 (1) EQ 4.4 (1)

**NOTE:**  
ALL DIM'S INCH [MM]  
ILLUSTRATION FOR REF ONLY AND NTS  
FOR CLEANING INSTRUCTIONS SEE APPROPRIATE SECTIONS IN  
PRODUCT CARE & MAINTENANCE BULLETIN (PCM) ON ASI WEBSITE

**PRODUCT OVERVIEW**

Concealed body for pocket mounting behind mirrors. This cabinet has 2 push-up flaps for bottom-filling with towels and dispenses 600 C-fold or 800 multi-fold paper towels; designed to conceal the dispenser behind mirror or wall so only the towel tray opening is visible. Towels are self-feeding until supply is depleted. Towels are refilled from the bottom via two push-up flaps.

**KEY FEATURES & SPECIFICATIONS**

- Designed to conceal the dispenser behind mirror or wall
- Towel slot has a fully hemmed edge for snag-free dispensing and user safety
- Type 304 Stainless Steel - Satin Finish
- Recessed
- Pull Type
- 600 C-Fold OR 800 Multi-Fold

**OPERATION & MAINTENANCE**

Towels are self-feeding until supply is depleted. Towels are refilled from the bottom via two push-up flaps.

**TECHNICAL INFORMATION / PRODUCT PROPERTIES**

Property	Value
Dimensions	12-3/4" [324] W x 18" [457] H x 4-1/2" [108] D
Construction	Type 304 Stainless Steel - Satin Finish Concealed multi-staked hinge - 3/16" Dia. [Ø5]
Power	N/A
Operation	Manual - Pull Type
Mounting	Recessed
Capacity	600 C-Fold OR 800 Multi-Fold

**INSTALLATION**

Mount unit as directed by architect using #10 self-threading screws (by others) through holes in mounting tabs provided. For compliance with 2010 ADA Accessibility Standards install unit so that centerline of towel dispenser slot is 48" [1219] maximum above finished floor (AFF).

**WARRANTY**

One (1) Year from date of Invoice