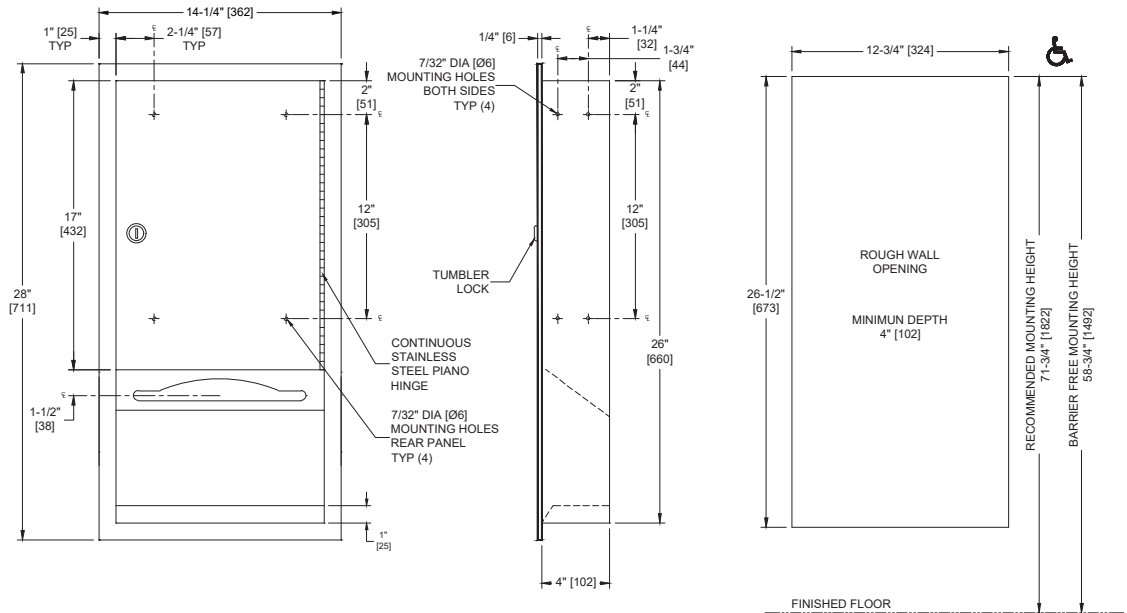


Paper Towel Dispenser (Multi - C-Fold) – Surface Mounted

Paper Towel Dispensers

Traditional

MasterFormat Section 10 28 13



SUSTAINABILITY/LEED

MR 4.1 (1) MR 6 (1) EQ 4.2 (1)
MR 4.2 (1) EQ 4.1 (1) EQ 4.4 (1)

NOTE:
ALL DIM'S INCH [MM]
ILLUSTRATION FOR REF ONLY AND NTS
FOR CLEANING INSTRUCTIONS SEE APPROPRIATE SECTIONS IN
PRODUCT CARE & MAINTENANCE BULLETIN (PCM) ON ASI WEBSITE

PRODUCT OVERVIEW

Dispenses 600 C-fold or 800 multi-fold paper towels. Towels are self-feeding until supply is depleted. Unit may be reloaded with a partial load in-place and will continue to feed properly. Door held closed with a tumbler lock. Surface mounted with 9" [229] stainless steel collar. Surface mounted with stainless steel collar.

KEY FEATURES & SPECIFICATIONS

- Self feeding towels
- Towel slot has a fully hemmed edge for snag-free dispensing and user safety
- Type 304 Stainless Steel - Satin Finish
- Surface Mounted - w/ 9" Collar
- Pull Type
- 600 C-Fold OR 800 Multi-Fold

OPERATION & MAINTENANCE

Towels are self-feeding until supply is depleted. Towels are refilled from the bottom via two push-up flaps.

TECHNICAL INFORMATION / PRODUCT PROPERTIES

Property	Value
Dimensions	14-1/4" [326] W x 28" [711] H x 4-1/4" [108] D
Construction	Type 304 Stainless Steel - Satin Finish
Power	N/A
Operation	Manual - Pull Type
Mounting	Surface Mounted
Capacity	600 C-Fold OR 800 Multi-Fold

INSTALLATION

Surface mount unit to wall using #10 self-threading screws (by others) through concealed mounting holes provided. For compliance with 2010 ADA Accessibility Standards install unit so that centerline of towel dispenser slot is 48" [1219] maximum above finished floor (AFF). SM collar is installed on cabinet prior to mounting on wall following procedure described on SM Collar Data Sheet.

WARRANTY

One (1) Year from date of Invoice