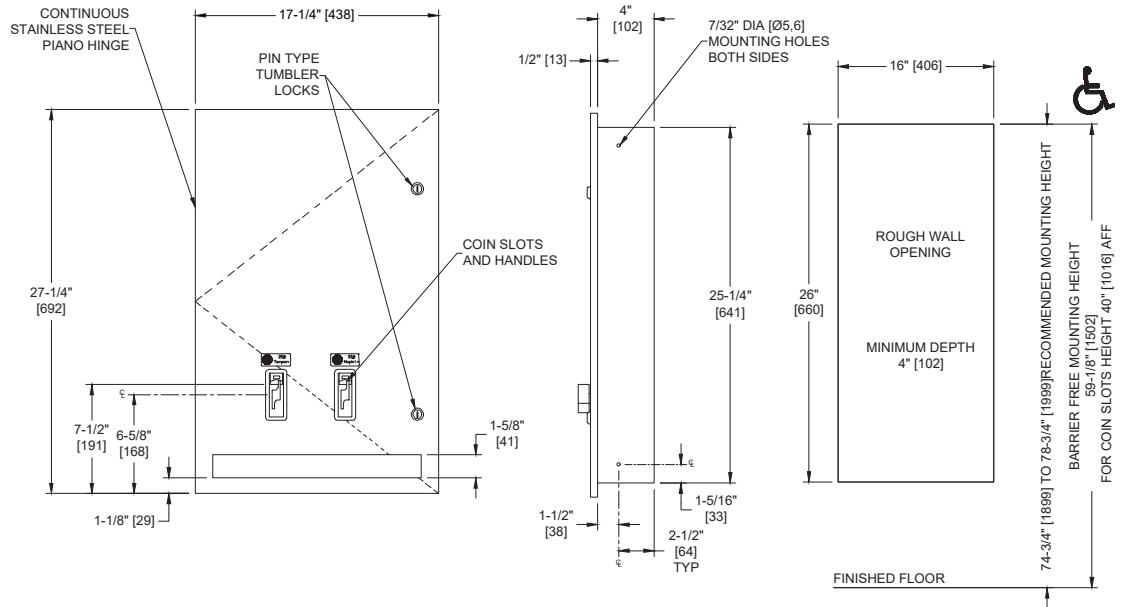


Dual (15) Napkin/ (23) Tampon Vendor – Recessed – 25¢ - 50¢ or Free Operation

Feminine Hygiene Vendors and Disposals

MasterFormat Section 10 28 13



Scan for Information



SUSTAINABILITY/LEED

MR 4.1 (1) MR 6 (1) EQ 4.2 (1)
 MR 4.2 (1) EQ 4.1 (1) EQ 4.4 (1)

NOTE:
 ALL DIM'S INCH [MM]
 ILLUSTRATION FOR REF ONLY AND NTS
 FOR CLEANING INSTRUCTIONS SEE APPROPRIATE SECTIONS IN
 PRODUCT CARE & MAINTENANCE BULLETIN (PCM) ON ASI WEBSITE

PRODUCT OVERVIEW

Dispenses 15 napkins, 23 tampons. Doors are held closed with two (2) tumbler locks. Internal coin-box is keyed differently than door locks. Dispensing mechanisms are fastener mounted internally to provide ability to change mechanisms for coinage denomination. Weights for each feed track are supplied. Universal coin mechanism allows for 25¢, 50¢ and free (no coin) operation. Choose appropriate suffix (-25, -50 or -F). Shall be fabricated of 18 gauge type 304 stainless steel alloy 18-8. Door shall be attached with a full length 3/16" diameter (Ø4.8) stainless steel multi-staked piano hinge and shall be held closed with two (2) tumbler locks keyed alike to other ASI washroom equipment.

KEY FEATURES & SPECIFICATIONS

- Dual Vendor
 - 25¢ - 50¢ or Free Operation
 - Type 304 Stainless Steel - Satin Finish
 - Recessed
 - 15 Napkins AND 23 Tampons
- 04684-25 – allows for 25¢ operation
 - 04684-50 – allows for 50¢ operation
 - 04684-F – allows Free (no coin) operation

OPERATION & MAINTENANCE

Deposit of specified coin allows operation of dispenser. Napkin and tampon dispensers operate independently. Selected product drops into vending opening after operator actuation. Indicator displays empty condition and blocks coin slot when product is depleted. Unit vend product supply is replenished on cycle determined by maintenance needs by opening door and manually reloading product into dispenser supply tracks. Locked compartment prevents unauthorized access. Track weights **MUST BE USED** to provide positive feed.

TECHNICAL INFORMATION / PRODUCT PROPERTIES

Property	Value
Dimensions	17-1/4" [438] x 27-1/4" [692] x 4-1/2" [114]
Construction	Type 304 Stainless Steel - Satin Finish
Mounting	Recessed
Capacity	NAPKINS, SINGLES, CARDBOARD-BOXED, SEMIGLOSS FINISH CAPACITY 15 BOX SIZE 4-1/4" [108] x 3" [76] x 1-1/8" [29] <input type="checkbox"/> Stayfree# 4 <input type="checkbox"/> Guards# 247, or 147 <input type="checkbox"/> Kotex# 704, 707, 07010, 07040, 07045, 07300, 07320 <input type="checkbox"/> Pure-Nat# M-4 <input type="checkbox"/> Modess# 4 TAMPONS, CYLINDER, CARDBOARD, SEMIGLOSS, CRIMPED ENDS CAPACITY 23 TUBE SIZE 3/4" diameter [Ø19] x 5-1/4" [134] <input type="checkbox"/> Tampax <input type="checkbox"/> ModessTampons

INSTALLATION

Unit is mounted in wall recess using #10 self-threading screws (by others). Note that coin slot is 22-15/16" [583] above bottom edge of rough wall opening.

Rough Wall Opening (RWO) required is 16" [406] W x 42" [1067] H x 4" [102] D minimum

WARRANTY

One (1) Year from date of Invoice