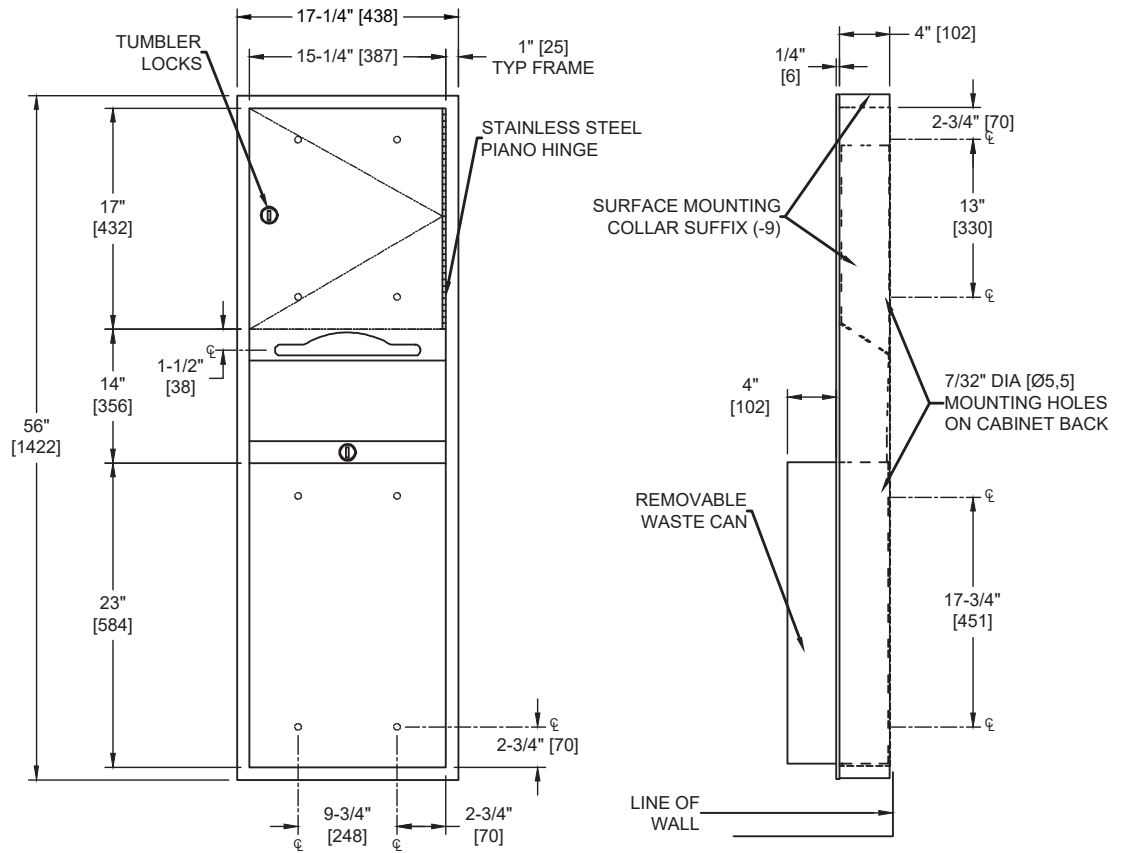


Paper Towel Dispenser & Waste Receptacle – Surface Mounted

Paper Towel Combination Units

Traditional

MasterFormat Section 10 28 13



NOTE:
ALL DIM'S INCH [MM]
ILLUSTRATION FOR REF ONLY AND NTS
FOR CLEANING INSTRUCTIONS SEE APPROPRIATE SECTIONS IN
PRODUCT CARE & MAINTENANCE BULLETIN (PCM) ON ASI WEBSITE

Scan for Information



SUSTAINABILITY/LEED

MR 4.1 (1) EQ 4.1 (1)
MR 4.2 (1) EQ 4.2 (1)
MR 6 (1) EQ 4.4 (1)

PRODUCT OVERVIEW

Dispenses 600 C-fold or 800 multi-fold paper towels. 12 gal. (46 L) stainless steel waste receptacle. Surface mounted with stainless steel collar. Towels are self-feeding until supply is depleted. Unit may be reloaded with a partial load in-place and will continue to feed properly. Waste container is emptied manually on cycle determined by maintenance needs. Locking compartment and receptacle retainer prevents unauthorized access or removal.

KEY FEATURES & SPECIFICATIONS

- Double-pan construction door has "no-Flex" fiberboard filler for added rigidity and strength
- Door is attached to the cabinet with a 3/16" diameter [Ø5] Heavy-duty, Multi-Staked Stainless Steel Piano Hinge
- 22 gauge Type 304 Stainless Steel - Satin Finish
- Surface Mounted - w/ 9" Collar
- 600 C-Fold or 800 Multi-Fold / 12.0 Gal. (46.0 L) Waste Capacity

OPERATION & MAINTENANCE

Towels are self-feeding until supply is depleted. Unit may be reloaded with a partial load in-place and will continue to feed properly. Waste container is emptied manually on cycle determined by maintenance needs. Locked compartment prevents unauthorized access.

TECHNICAL INFORMATION / PRODUCT PROPERTIES

Property	Value
Dimensions	17-1/4" [438] W x 56" [1422] H x 4-1/4" [108] D
Construction	Type 304 Stainless Steel - Satin Finish
Mounting	Surface Mounted - w/ 9" Collar
Capacity	600 C-Fold or 800 Multi-Fold / 12.0 Gal. (46.0 L) Waste Capacity

INSTALLATION

Surface mount unit to wall using four (4) #10 self-threading screws (by others) through concealed mounting holes provided in rear wall of cabinet. For compliance with 2010 ADA Accessibility Standards mount unit with centerline of towel outlet 48" [1219] maximum Above Finish Floor (AFF). SM collar is installed on cabinet prior to mounting on wall following procedure described on SM Collar Data Sheet.

WARRANTY

One (1) Year from date of Invoice