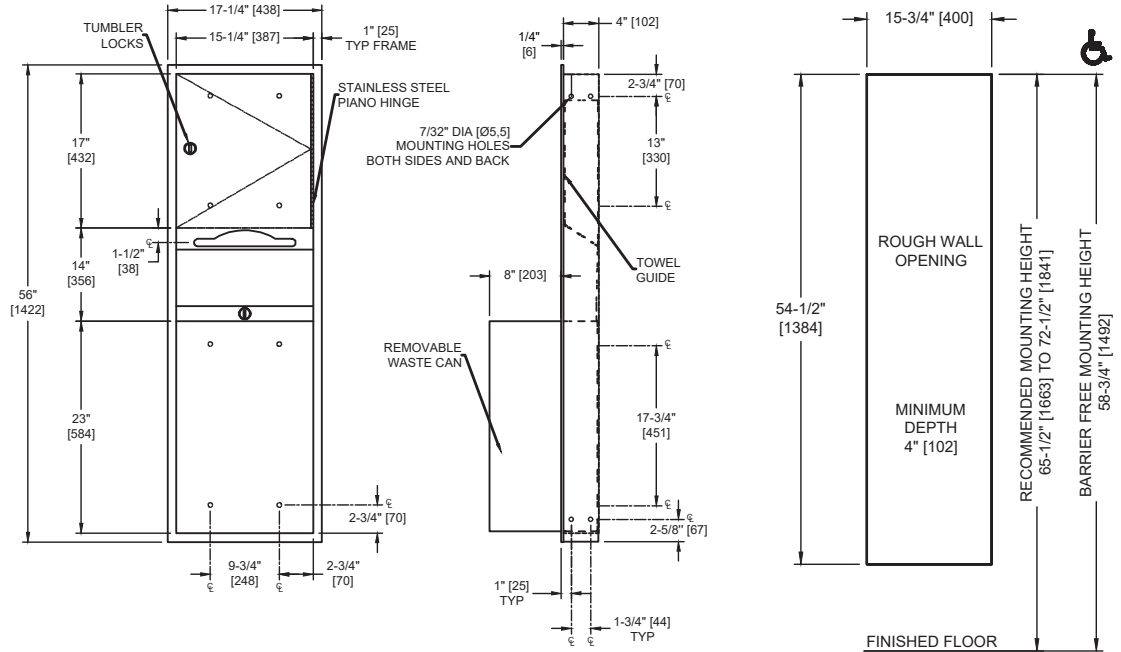


**Paper Towel Dispenser & Waste Receptacle – 18 gallon**

Paper Towel Combination Units

Traditional

MasterFormat Section 10 28 13



Scan for Information



**SUSTAINABILITY/LEED**

MR 4.1 (1) EQ 4.1 (1)  
MR 4.2 (1) EQ 4.2 (1)  
MR 6 (1) EQ 4.4 (1)

**NOTE:**  
ALL DIM'S INCH [MM]  
ILLUSTRATION FOR REF ONLY AND NTS  
FOR CLEANING INSTRUCTIONS SEE APPROPRIATE SECTIONS IN  
PRODUCT CARE & MAINTENANCE BULLETIN (PCM) ON ASI WEBSITE

**PRODUCT OVERVIEW**

Dispenses 600 C-fold or 800 multi-fold paper towels. 18 gal. (68 L) waste receptacle. Projects 8" (205 mm) from wall. Towels are self-feeding until supply is depleted. properly. Waste container is emptied manually. Locked compartment prevents unauthorized access

**KEY FEATURES & SPECIFICATIONS**

- Double-pan construction door has "no-Flex" fiberboard filler for added rigidity and strength
- Door is attached to the cabinet with a 3/16" diameter [Ø5] Heavy-duty, Multi-Stacked Stainless Steel Piano Hinge
- 22 gauge Type 304 Stainless Steel - Satin Finish
- Surface Mounted - w/ 9" Collar
- 600 C-Fold or 800 Multi-Fold / 18.0 Gal. (69.0 L) Waste Capacity

**OPERATION & MAINTENANCE**

Towels are self-feeding until supply is depleted. properly. Waste container is emptied manually. Locked compartment prevents unauthorized access.

**TECHNICAL INFORMATION / PRODUCT PROPERTIES**

Property	Value
Dimensions	17-1/4" [438] W x 56" [1422] H x 12-1/4" [310] D
Construction	Type 304 Stainless Steel - Satin Finish
Mounting	Surface Mounted - w/ 9" Collar
Capacity	600 C-Fold or 800 Multi-Fold / 18.0 Gal. (69.0 L) Waste Capacity

**INSTALLATION**

Mount unit in wall recess using four (4) #10 self-threading screws (by others) through concealed mounting holes provided. Note that top of rough wall opening is 3/4" [19] below top of unit.

Rough Wall Opening required is 15-3/4" [400] W x 54-1/2" [1390] H x 4" [102] D minimum

**WARRANTY**

One (1) Year from date of Invoice