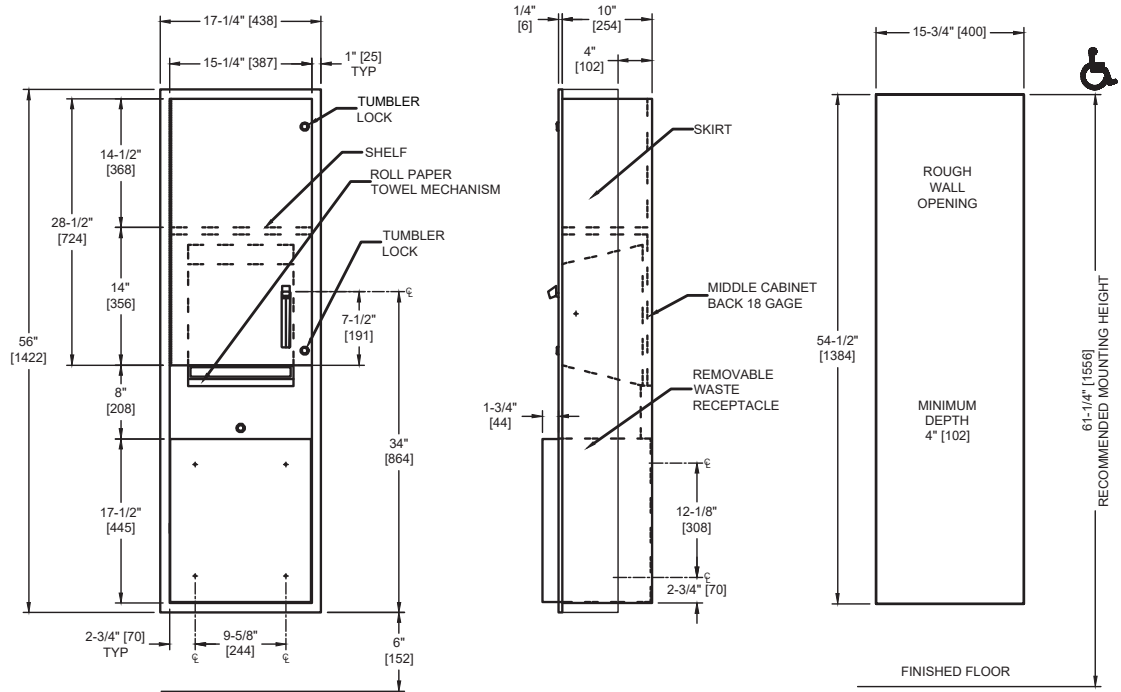


Roll Paper Towel Dispenser & Waste Receptacle – Semi-Recessed

Paper Towel Combination Units

Traditional

MasterFormat Section 10 28 13



Scan for Information



SUSTAINABILITY/LEED

MR 4.1 (1) EQ 4.1 (1)
MR 4.2 (1) EQ 4.2 (1)
MR 6 (1) EQ 4.4 (1)

NOTE:
ALL DIM'S INCH [MM]
ILLUSTRATION FOR REF ONLY AND NTS
FOR CLEANING INSTRUCTIONS SEE APPROPRIATE SECTIONS IN
PRODUCT CARE & MAINTENANCE BULLETIN (PCM) ON ASI WEBSITE

PRODUCT OVERVIEW

Unit mechanically dispenses 8" [205] or 9" [230] wide standard towel roll up to 800 ft. (244m) long and has stub roll capability for continuous dispensing. 13.3 gal. (50.4 liters) disposal capacity. Semi-recessed with stainless steel collar. Towels are fed by depressing lever until supply is depleted. Towel feed length is adjustable for economy by pin (supplied) limiting of lever stroke length. Unit may be reloaded with a full roll to automatically start when finished with an existing partial roll.

KEY FEATURES & SPECIFICATIONS

- Double-pan construction door has "no-Flex" fiberboard filler for added rigidity and strength
- Door is attached to the cabinet with a 3/16" diameter [Ø5] Heavy-duty, Multi-Stacked Stainless Steel Piano Hinge
- Type 304 Stainless Steel - Satin Finish
- Semi-Recessed - w/ -6 collar
- RollTowels - up to 800 ft. [244M] Length / 13.3 Gal. (50.4 L) Waste Capacity

OPERATION & MAINTENANCE

Towels are fed by lever action until supply is depleted. Towel feed length is adjustable for economy by pin (supplied) limiting of lever stroke length. Unit may be reloaded with a full roll to automatically start when finished with an existing partial roll. Waste container is emptied manually on cycle determined by maintenance needs.

TECHNICAL INFORMATION / PRODUCT PROPERTIES

Property	Value
Dimensions	17-1/4" [438] W x 56" [1422] H x 11-3/4" [298] D
Construction	Type 304 Stainless Steel - Satin Finish
Mounting	Semi-Recessed - w/6" collar
Capacity	Roll Towels - up to 800 ft. Length / 13.3 Gal. (50.4 L) Waste Capacity

INSTALLATION

Unit is semi-recessed in wall recess using #10 self-threading screws (by others) through concealed mounting holes provided. For compliance with 2010 ADA Accessibility Standards mount unit with centerline of towel outlet 48" [1219] maximum Above Finish Floor (AFF). Note that top of RWO is 3/4" [19] below top of unit. SR collar is installed on cabinet prior to mounting on wall following procedure described on SR Collar Data Sheet.

Rough Wall Opening (RWO) required is 15-3/4" [102] W x 54-1/2" [1384] H x 4" [102] D minimum

WARRANTY

One (1) Year from date of Invoice