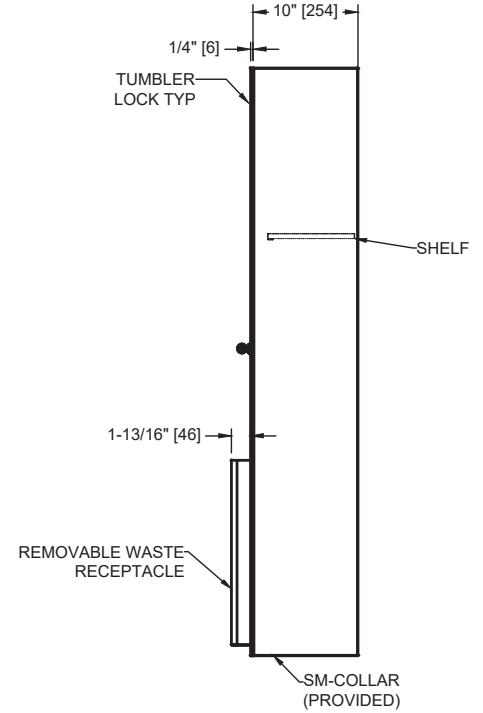
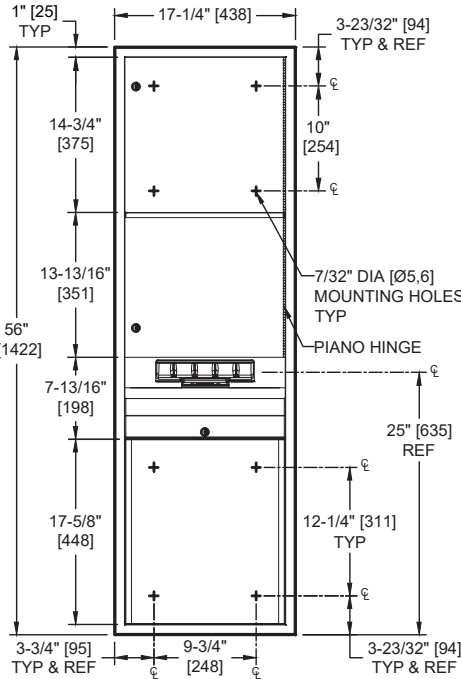


Automatic Roll Paper Towel Dispenser & Waste Receptacle - Surface Mounted

Paper Towel Combination Units

Traditional

MasterFormat Section 10 28 13



Scan for Information



SUSTAINABILITY/LEED

MR 4.1 (1) MR 6 (1) EQ 4.2 (1)
MR 4.2 (1) EQ 4.1 (1) EQ 4.4 (1)

NOTE:
ALL DIM'S INCH [MM]
ILLUSTRATION FOR REF ONLY AND NTS
FOR CLEANING INSTRUCTIONS SEE APPROPRIATE SECTIONS IN
PRODUCT CARE & MAINTENANCE BULLETIN (PCM) ON ASI WEBSITE

PRODUCT OVERVIEW

Proximity sensing no-touch unit dispenses a pre-set length per cycle from 8" [205] or 9" [230] wide standard towel roll up to 800 ft. (244m) long and has stub roll capability for continuous dispensing. 13.3 gal. (50.4 liters) disposal capacity. Surface mounted with stainless steel collar. Powered by 4 D-size batteries (not included). Towels are dispensed one length at a time automatically when hands are placed in sensor zone until supply is depleted. Owner predetermines length of towel dispensed by making selections on three (3) three-position switches for length, delay, and economy. Unit may be reloaded with a full roll to automatically start when finished with an existing partial roll and will continue to feed properly when reloaded with a full roll and partial roll is transferred to stub roll position. Refill dispenser by unlocking door and replacing towel roll for an empty or partially empty unit. LED indicates sensing and battery condition. Locking door and receptacle retainer prevents unauthorized access and removal.

KEY FEATURES & SPECIFICATIONS

- "Touch Free" dispensing for better hygiene
- Double-pan construction door has "no-Flex" fiberboard filler for added rigidity and strength
- Cabinet, Frame & Waste Container are made of 22 gauge Type 304 Stainless Steel - Satin Finish
- Door is attached to the cabinet with a 3/16" Dia. [Ø5]. Heavy-duty, Multi-Stacked Stainless Steel Piano Hinge, Tumbler lock keyed
- Surface Mounted - w/ -9 collar
- Automatic - Battery Operated - "No Touch"
- Roll Towels - up to 800 ft. [244M] Length / 13.3 Gal. (50.4 L) Waste Capacity

OPERATION & MAINTENANCE

Towels are dispensed one length at a time automatically when hands are placed in sensor zone until supply is depleted. Owner predetermines length of towel dispensed by making selections on three (3) three-position switches for length, delay, and economy. Unit may be reloaded with a full roll to automatically start when finished with an existing partial roll and will continue to feed properly when reloaded with a full roll and partial roll is transferred to stub roll position. Refill dispenser by unlocking door and replacing towel roll for an empty or partially empty unit. Dispenser supply is replenished, batteries are replaced and waste container is emptied manually on cycles determined by maintenance needs. LED indicates sensing and battery condition. Locking door and receptacle retainer prevents unauthorized access and removal.

TECHNICAL INFORMATION / PRODUCT PROPERTIES

Property	Value
Dimensions	17-1/4" [438] W x 56" [1422] H x 11-3/4" [298] D
Construction	Type 304 Stainless Steel - Satin Finish Door is attached to the cabinet with a 3/16" Dia. [Ø5]. Heavy-duty, Multi-Staked Stainless Steel Piano Hinge
Power	Batteries: Four (4) D-size
Operation	Automatic "No-Touch"
Mounting	Surface Mounted - w/ 9" Collar
Capacity	Roll Towels - up to 800 ft. Length / 13.3 Gal. (50.4 L) Waste Capacity

INSTALLATION

Mount unit on wall using #10 self-threading screws (by others) through concealed mounting holes provided. For compliance with 2010 ADA Accessibility Standards install unit so that bottom edge of towel dispenser door is 48" [1219] maximum Above Finished Floor (AFF).

WARRANTY

One (1) Year from date of Invoice