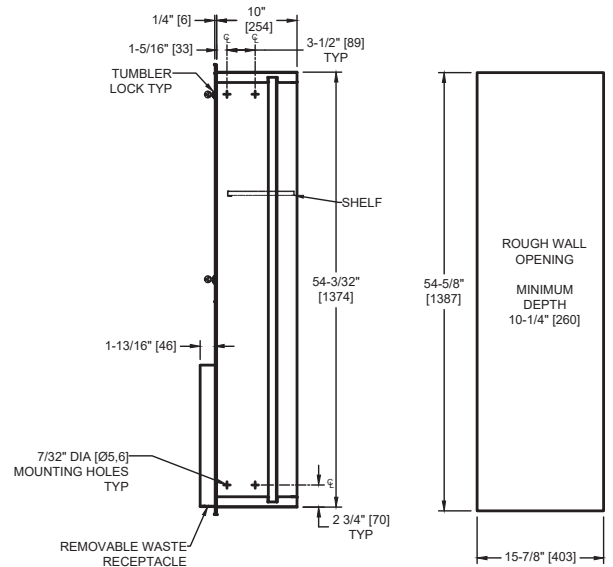
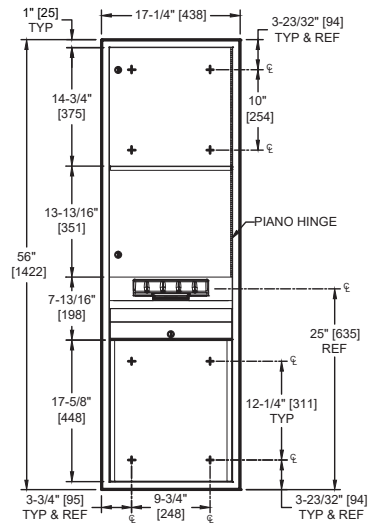


Automatic Roll Paper Towel Dispenser & Waste Receptacle – Recessed

Paper Towel Combination Units

Traditional

MasterFormat Section 10 28 13



SUSTAINABILITY/LEED

MR 4.1 (1) MR 6 (1) EQ 4.2 (1)
MR 4.2 (1) EQ 4.1 (1) EQ 4.4 (1)

NOTE:
ALL DIM'S INCH [MM]
ILLUSTRATION FOR REF ONLY AND NTS
FOR CLEANING INSTRUCTIONS SEE APPROPRIATE SECTIONS IN
PRODUCT CARE & MAINTENANCE BULLETIN (PCM) ON ASI WEBSITE

PRODUCT OVERVIEW

Proximity sensing no-touch unit dispenses a pre-set length per cycle from 8" [205] or 9" [230] wide, 800 ft. (244 m) long rolls. 12 gal. (45.4 L) waste receptacle. Powered by 4 D-size batteries (not included). Towels are dispensed one at a time automatically when hands are placed in sensor zone until supply is depleted. Unit may be reloaded with a full roll to automatically start when finished with an existing partial roll. Locking door and waste container prevents unauthorized access and removal.

KEY FEATURES & SPECIFICATIONS

- "Touch Free" dispensing for better hygiene
- Double-pan construction door has "no-Flex" fiberboard filler for added rigidity and strength
- Cabinet, Frame & Waste Container are made of 22 gauge Type 304 Stainless Steel - Satin Finish
- Door is attached to the cabinet with a 3/16" Dia. [Ø5]. Heavy-duty, Multi-Stacked Stainless Steel Piano Hinge, Tumbler lock keyed
- Recessed
- Automatic - Battery Operated - "No Touch"
- Roll Towels - up to 800 ft. Length / 13.3 Gal. (50.4 L) Waste Capacity

OPERATION & MAINTENANCE

Towels are dispensed one at a time automatically when hands are placed in sensor zone until supply is depleted. Unit may be reloaded with a full roll to automatically start when finished with an existing partial roll. Locking door and waste container prevents unauthorized access and removal. Waste container is emptied manually on cycle determined by maintenance needs.

TECHNICAL INFORMATION / PRODUCT PROPERTIES

Property	Value
Dimensions	17-1/4" [438] W x 56" [1422] H x 11-3/4" [298] D
Construction	Type 304 Stainless Steel - Satin Finish Door is attached to the cabinet with a 3/16" Dia. [Ø5]. Heavy-duty, Multi-Staked Stainless Steel Piano Hinge
Power	Batteries: Four (4) D-size
Operation	Automatic "No-Touch"
Mounting	Recessed
Capacity	Roll Towels - up to 800 ft. Length / 13.3 Gal. (50.4 L) Waste Capacity

INSTALLATION

Unit is mounted in wall recess using #10 self-threading screws (by others) through concealed mounting holes provided. Note that top of RWO is 3/4" [19] below top of unit. For compliance with 2010 ADA Accessibility Standards install unit so that bottom edge of towel dispenser door is 48" [1219] maximum Above Finished Floor (AFF).

Rough Wall Opening (RWO) required is 15-7/8" [403] W x 54-5/8" [1387] H x 10-1/4" [260] D minimum

WARRANTY

One (1) Year from date of Invoice