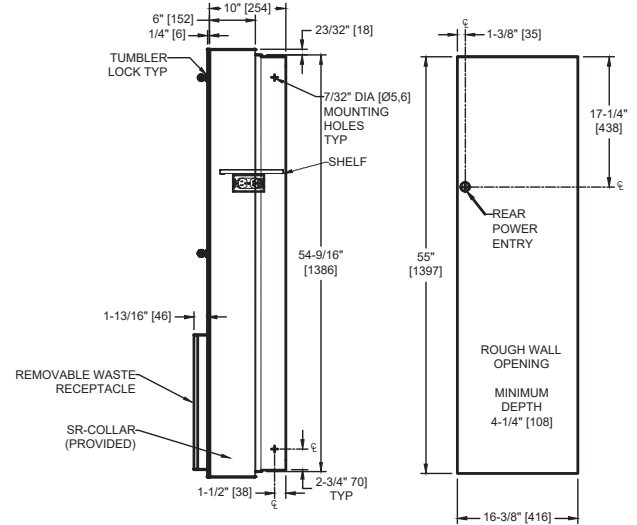
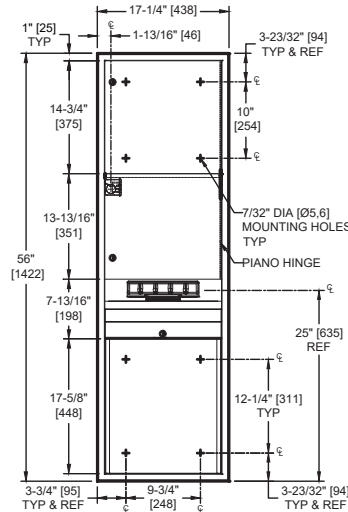


Automatic Roll Paper Towel Dispenser & Waste Receptacle – 110-240V AC - Semi-Recessed

Paper Towel Combination Units

Traditional

MasterFormat Section 10 28 13



SUSTAINABILITY/LEED

MR 4.1 (1) MR 6 (1) EQ 4.2 (1)
MR 4.2 (1) EQ 4.1 (1) EQ 4.4 (1)

NOTE:
ALL DIM'S INCH [MM]
ILLUSTRATION FOR REF ONLY AND NTS
FOR CLEANING INSTRUCTIONS SEE APPROPRIATE SECTIONS IN
PRODUCT CARE & MAINTENANCE BULLETIN (PCM) ON ASI WEBSITE

PRODUCT OVERVIEW

Proximity sensing no-touch unit dispenses a pre-set length per cycle from 8" [205] or 9" [230] wide standard towel roll up to 800 ft. (244m) long and has stub roll capability for continuous dispensing. 12 gal. (45.4 liters) disposal capacity. Semi-recessed with stainless steel collar. Powered by internal low-voltage adapter (supplied) using 110-240VAC, 50/60 Hz and providing output of 5VDC @ 1A.

KEY FEATURES & SPECIFICATIONS

- "Touch Free" dispensing for better hygiene
- Double-pan construction door has "no-Flex" fiberboard filler for added rigidity and strength
- Type 304 Stainless Steel - Satin Finish
- Door is attached to the cabinet with a 3/16" Dia. [Ø5]. Heavy-duty, Multi-Staked Stainless Steel Piano Hinge
- Semi-Recessed - w/ -6 collar
- Automatic - AC - 110 - 240V - "No Touch"
- RollTowels - up to 800 ft. [244M] Length / 13.3 Gal. (50.4 L) Waste Capacity

OPERATION & MAINTENANCE

Towels are dispensed one at a time automatically when hands are placed in sensor zone until supply is depleted. Unit may be reloaded with a full roll to automatically start when finished with an existing partial roll. Locking door and waste container prevents unauthorized access and removal. Waste container is emptied manually on cycle determined by maintenance needs.

TECHNICAL INFORMATION / PRODUCT PROPERTIES

Property	Value
Dimensions	17-1/4" [438] W x 56" [1422] H x 11-3/4" [298] D
Construction	Type 304 Stainless Steel - Satin Finish Door is attached to the cabinet with a 3/16" Dia. [Ø5]. Heavy-duty, Multi-Staked Stainless Steel Piano Hinge
Power	110-240V AC
Operation	Automatic "No-Touch"
Mounting	Semi-Recessed - w/ 6" collar
Capacity	Roll Towels - up to 800 ft. Length / 13.3 Gal. (50.4 L) Waste Capacity

INSTALLATION

Unit is mounted in wall recess using #10 self-threading screws (by others) through concealed mounting holes provided. Note that top of RWO is 3/4" [19] below top of unit. For compliance with 2010 ADA Accessibility Standards install unit so that bottom edge of towel dispenser door is 48" [1219] maximum Above Finished Floor (AFF). Power is supplied by code approved cable or conduit (by others) to RWO at any one of two [2] available locations indicated on diagram and terminated in utility simplex outlet box (provided) inside cabinet. Power required is 110-240VAC at 50/60 Hz protected by a 15A circuit breaker (by others) for low voltage adapter that draws ¼ Amp. Power adapter for dispenser unit is supplied cabled and plugged into dispenser and is plugged into simplex outlet (by others).

Rough Wall Opening (RWO) required is 15-3/4" [400] W x 54-1/2" [1384] H x 4" [102] D minimum

WARRANTY

One (1) Year from date of Invoice