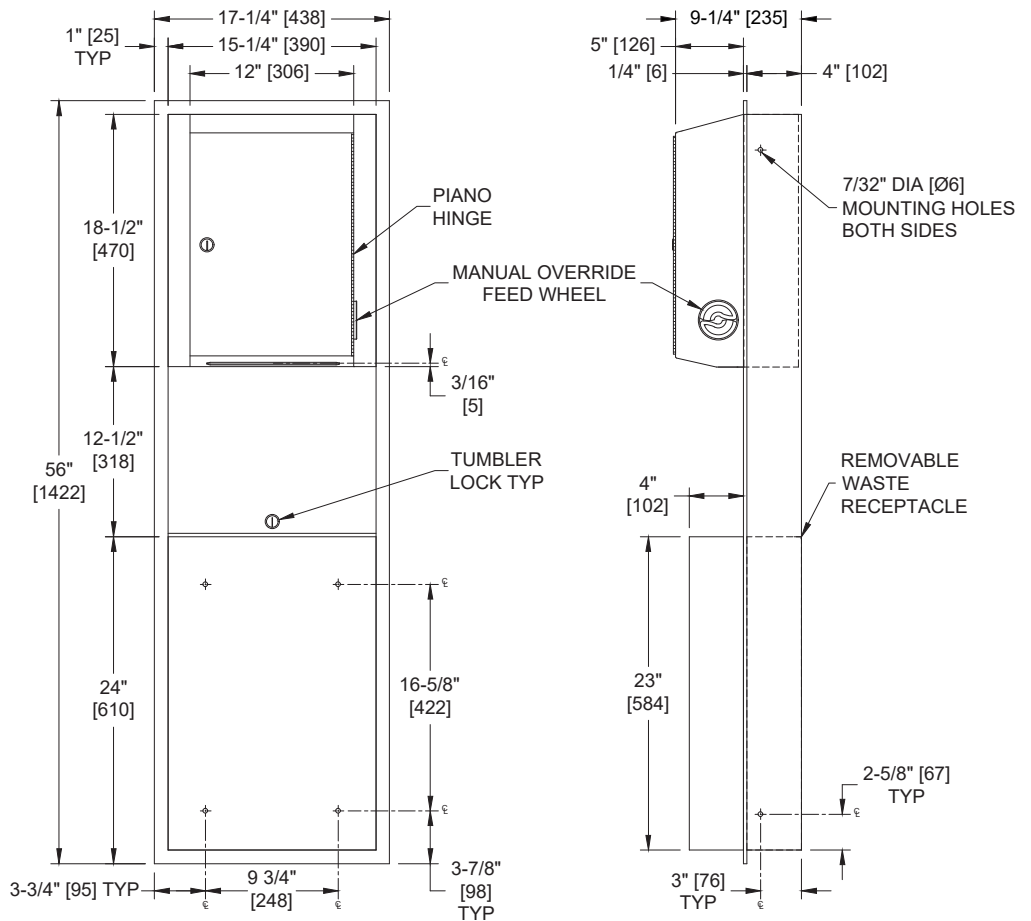


Roll Paper Towel Dispenser & Waste Receptacle Cabinet – Semi-Recessed

Paper Towel Combination Units

Traditional

MasterFormat Section 10 28 13



NOTE:
ALL DIM'S INCH [MM]
ILLUSTRATION FOR REF ONLY AND NTS
FOR CLEANING INSTRUCTIONS SEE APPROPRIATE SECTIONS IN
PRODUCT CARE & MAINTENANCE BULLETIN (PCM) ON ASI WEBSITE

Scan for Information



SUSTAINABILITY/LEED

- MR 4.1 (1) EQ 4.1 (1)
- MR 4.2 (1) EQ 4.2 (1)
- MR 6 (1) EQ 4.4 (1)

PRODUCT OVERVIEW

Holds one towel roll 8" diameter [Ø203] x 8" [203] wide and one stub roll 3" diameter [Ø76] x 8" [203] wide and dispenses single full width cut towel 12" [305] long from pull-towel autocut dispenser. Dispenser mechanism is supplied installed and automatically changes over from depleted stub roll to start new roll without interruption. Waste receptacle has a capacity of 1.83 cu ft (0.052 m³) or 13.5 gal (52 liters).

KEY FEATURES & SPECIFICATIONS

- Double-pan construction door has "no-Flex" fiberboard filler for added rigidity and strength
- Door is attached to the cabinet with a 3/16" diameter [Ø5] Heavy-duty, Multi-Staked Stainless Steel Piano Hinge
- Type 304 Stainless Steel - Satin Finish
- Semi-Recessed
- 600 C-Fold or 800 Multi-Fold / 12.0 Gal. (46.0 L) Waste Capacity

OPERATION & MAINTENANCE

User grasps leading edge of towel and pulls it out of unit until cycle reaches auto-cut position while supply is not depleted. Next towel is automatically presented ready for use by next user after current cut-off cycle is completed. Towels are loaded by opening cabinet door to access dispenser mechanism and by following instructions provided. Waste container is emptied manually on cycle determined by maintenance needs. Locked compartment and receptacle retainer prevents unauthorized access or removal.

TECHNICAL INFORMATION / PRODUCT PROPERTIES

Property	Value
Dimensions	17-1/4" [438] W x 56" [1422] H x 9-1/4" [235] D
Construction	Type 304 Stainless Steel - Satin Finish
Mounting	Semi-Recessed
Capacity	600 C-Fold or 800 Multi-Fold / 12.0 Gal. (46.0 L) Waste Capacity

INSTALLATION

Install unit in wall recess using #10 self-threading screws (by others) through concealed mounting holes provided. Note that top of Rough Wall Opening (RWO) is 3/4" [19] below top of unit. For compliance with 2010 ADA Accessibility Standards, install unit so that towel dispenser lever is 48" [1219] maximum Above Finish Floor (AFF).

Rough Wall Opening (RWO) required is 15-3/4 [400] W x 54-1/2" [1384] H x 4" [102] D minimum

WARRANTY

One (1) Year from date of Invoice