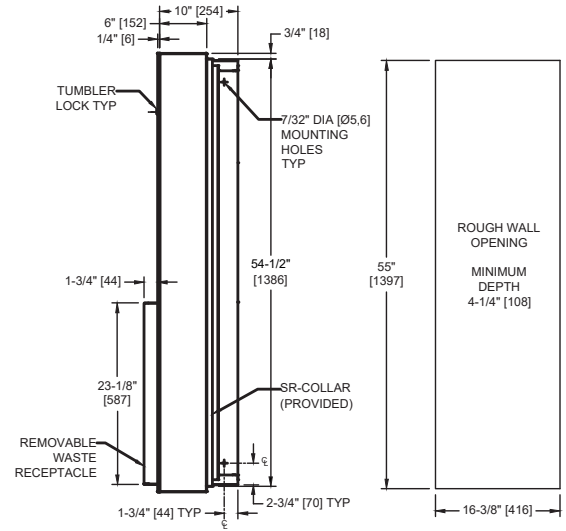
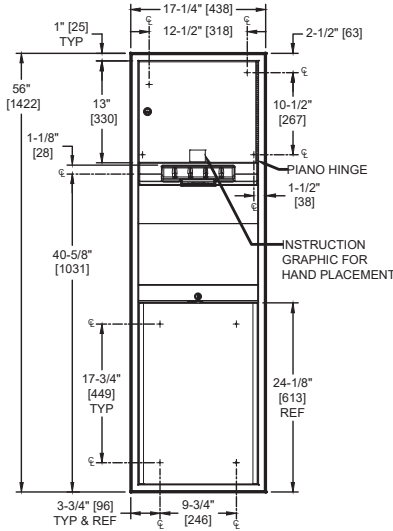


**Automatic Roll Paper Towel Dispenser & Waste Receptacle – Semi-Recessed**

Paper Towel Combination Units

Traditional

MasterFormat Section 10 28 13



Scan for Information



**SUSTAINABILITY/LEED**

MR 4.1 (1) MR 6 (1) EQ 4.2 (1)  
MR 4.2 (1) EQ 4.1 (1) EQ 4.4 (1)

**NOTE:**  
ALL DIM'S INCH [MM]  
ILLUSTRATION FOR REF ONLY AND NTS  
FOR CLEANING INSTRUCTIONS SEE APPROPRIATE SECTIONS IN  
PRODUCT CARE & MAINTENANCE BULLETIN (PCM) ON ASI WEBSITE

**PRODUCT OVERVIEW**

Proximity sensing no-touch unit dispenses a pre-set length per cycle from 8" [205] or 9" [230] wide standard towel roll up to 800 ft. (244m) long and has stub roll capability for continuous dispensing. 17 gal. (64 liters) disposal capacity. Semi-recessed with stainless steel collar. Powered by 4 D-size batteries (not included).

**KEY FEATURES & SPECIFICATIONS**

- "Touch Free" dispensing for better hygiene
- Double-pan construction door has "no-Flex" fiberboard filler for added rigidity and strength
- Cabinet, Frame & Waste Container are made of 22 gauge Type 304 Stainless Steel - Satin Finish
- Door is attached to the cabinet with a 3/16" Dia. [Ø5]. Heavy-duty, Multi-Stacked Stainless Steel Piano Hinge, Tumbler lock keyed
- Semi-Recessed - w/ -6 collar
- Automatic - Battery Operated - "No Touch"
- RollTowels - up to 800 ft. [244M] Length / 17.0 Gal. (64.0 L) Waste Capacity

**OPERATION & MAINTENANCE**

Towels are dispensed one length at a time automatically when hands are placed in sensor zone until supply is depleted. Owner predetermines length of towel dispensed by making selections on three (3) three-position switches for length, delay, and economy. Unit may be reloaded with a full roll to automatically start when finished with an existing partial roll and will continue to feed properly when reloaded with a full roll and partial roll is transferred to stub roll position. Refill dispenser by unlocking door and replacing towel roll for an empty or partially empty unit. Dispenser supply is replenished and batteries are replaced manually on cycles determined by maintenance needs. LED indicates sensing and battery condition. Locking compartment and receptacle retainer prevents unauthorized access and removal.

**TECHNICAL INFORMATION / PRODUCT PROPERTIES**

Property	Value
Dimensions	17-1/4" [438] W x 56" [1422] H x 10-1/4" [260] D
Construction	Type 304 Stainless Steel - Satin Finish Door is attached to the cabinet with a 3/16" Dia. [Ø5]. Heavy-duty, Multi-Staked Stainless Steel Piano Hinge
Power	Batteries: Four (4) D-size
Operation	Automatic "No-Touch"
Mounting	Semi-Recessed - w/ 6" collar
Capacity	Roll Towels - up to 800 ft. Length / 17.0 Gal. (64.0 L) Waste Capacity

**INSTALLATION**

Install unit in wall recess using #10 self-threading screws (by others) through concealed mounting holes provided. Note that top of Rough Wall Opening (RWO) is 3/4" [19] below top of unit. For compliance with 2010 ADA Accessibility Standards, install unit so that bottom edge of towel dispenser door is 48" [1219] maximum Above Finished Floor (AFF).

RWO required is 16-3/8" [416] W x 55" [1397] H x 4-1/4" [108] D minimum

**WARRANTY**

One (1) Year from date of Invoice