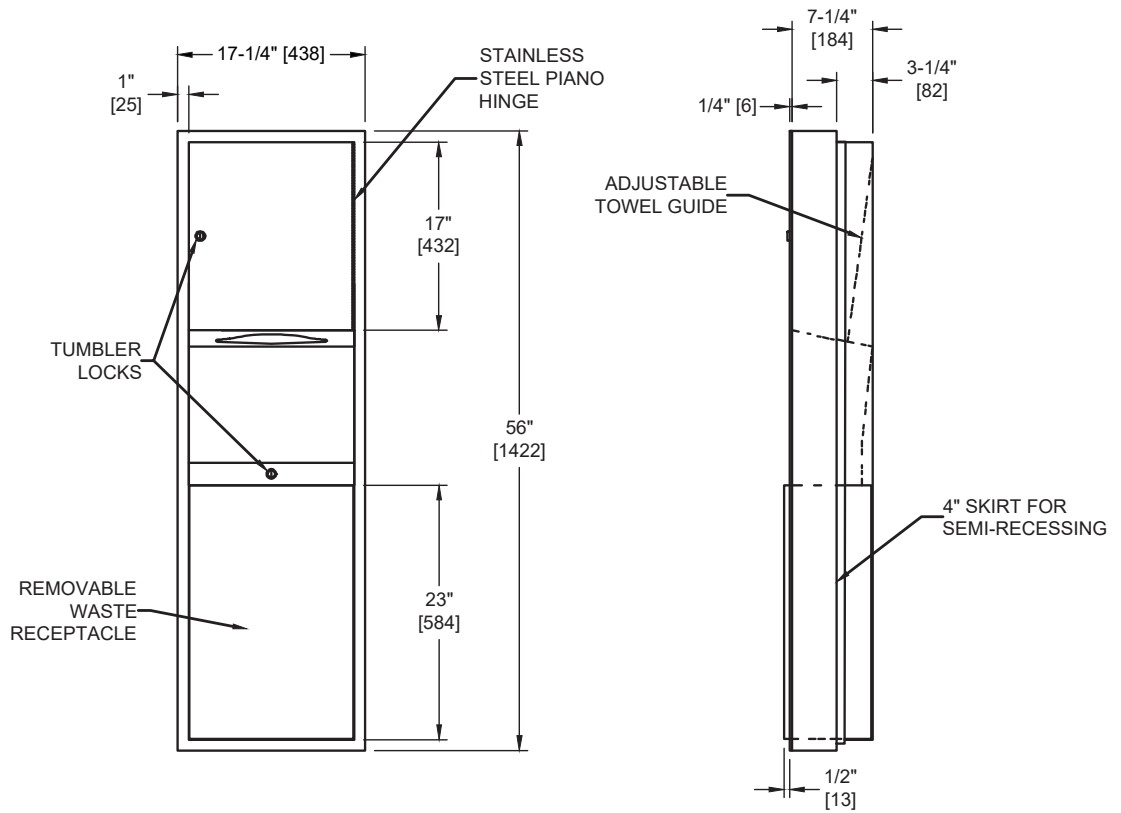


Paper Towel Dispenser & Waste Receptacle – Semi-Recessed

Paper Towel Combination Units

Traditional

MasterFormat Section 10 28 13



Scan for Information



SUSTAINABILITY/LEED

MR 4.1 (1) EQ 4.1 (1)
MR 4.2 (1) EQ 4.2 (1)
MR 6 (1) EQ 4.4 (1)

NOTE:
ALL DIM'S INCH [MM]
ILLUSTRATION FOR REF ONLY AND NTS
FOR CLEANING INSTRUCTIONS SEE APPROPRIATE SECTIONS IN
PRODUCT CARE & MAINTENANCE BULLETIN (PCM) ON ASI WEBSITE

PRODUCT OVERVIEW

Dispenses 600 C-fold, 800 multi-fold or 1100 single-fold papertowels. 12 gal. (46 L) stainless steel waste receptacle. Adjustable guide provided to allow dispensing of multi-fold or C-fold paper towels. Semi-recessed with 4" stainless steel collar. Paper towels are manually withdrawn through dispensing slot. An adjustable towel adapter ensures that towels feed properly until depleted. Refill dispenser by unlocking door and replacing towels for an empty or partially empty unit. Locking compartment and receptacle retainer prevents unauthorized access or removal.

KEY FEATURES & SPECIFICATIONS

- Double-pan construction door has "no-Flex" fiberboard filler for added rigidity and strength
- Door is attached to the cabinet with a 3/16" diameter [Ø5] Heavy-duty, Multi-Staked Stainless Steel Piano Hinge
- 22 gauge Type 304 Stainless Steel - Satin Finish
- Semi-Recessed - w/ -6 collar
- 600 C-Fold or 800 Multi-Fold OR 1,100 Single-Fold / 12.0 Gal. (46.0 L) Waste Capacity

OPERATION & MAINTENANCE

Paper towels are manually withdrawn through dispensing slot. An adjustable towel adapter ensures that towels feed properly until depleted. Dispenser is refilled by unlocking door and replacing towels for an empty or partially empty unit. Dispenser supply is replenished on cycle determined by maintenance needs.

TECHNICAL INFORMATION / PRODUCT PROPERTIES

Property	Value
Dimensions	17-1/4" [438] W x 56" [1422] H x 7-1/4" [184] D
Construction	Type 304 Stainless Steel - Satin Finish
Mounting	Semi-Recessed - w/6" collar
Capacity	600 C-Fold or 800 Multi-Fold OR 1,100 Single-Fold / 12.0 Gal. (46.0 L) Waste Capacity

INSTALLATION

For general utility mount unit 16" [106] Above Finished Floor (AFF) from bottom of unit. Secure unit to wall with #10 self-threading screws (by others) through concealed mounting holes. For compliance with 2010 ADA Accessibility Standards mount unit with centerline of towel outlet 48" [1219] maximum Above Finish Floor (AFF). SR collar is installed on cabinet prior to mounting in recess following procedure described on SR Collar Data Sheet.

Rough Wall Opening (RWO) required is 15-3/4" [400] W x 54-1/2" [1384] H x 3-1/4" [83] D minimum

WARRANTY

One (1) Year from date of Invoice