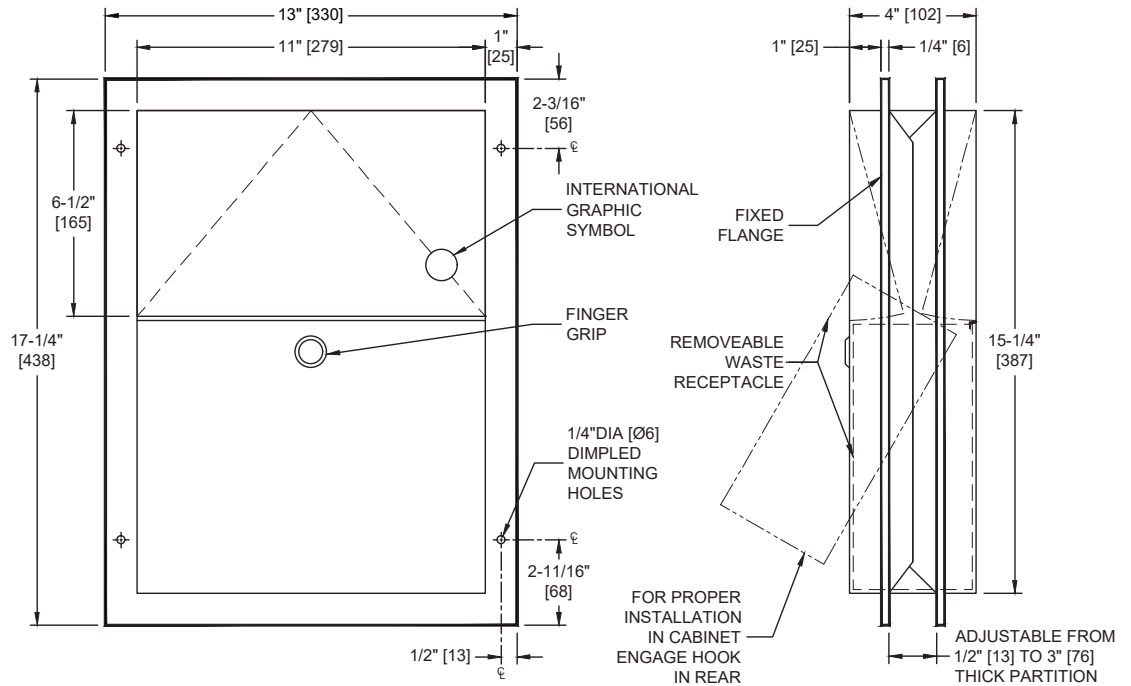


**Sanitary Napkin Disposal (Dual Access) – Partition Mounted**

Feminine Hygiene Vendors and Disposals

MasterFormat Section 10 28 13



Scan for Information



**SUSTAINABILITY/LEED**

MR 4.1 (1) MR 6 (1) EQ 4.2 (1)  
MR 4.2 (1) EQ 4.1 (1) EQ 4.4 (1)

**NOTE:**  
ALL DIM'S INCH [MM]  
ILLUSTRATION FOR REF ONLY AND NTS

**PRODUCT OVERVIEW**

Unit serves two compartments mounted in partitions. Receptacle removable from one side for servicing and locks to back of cabinet by means of stainless steel clips. Self-closing doors on each side are mounted to cabinet with heavy-duty full length piano hinge. Holds 1.5 gal (5.7 L) of dry/solids waste. Doors, flanges, waste receptacle and cabinet shall be 22 gauge type 304 stainless steel alloy 18-8.

**KEY FEATURES & SPECIFICATIONS**

- Dual Access - Partition Mount
- Type 304 Stainless Steel - Satin Finish
- Partition Mounted
- 1.5 gal (5.7 L) of dry/solids Waste Capacity

**OPERATION & MAINTENANCE**

Users push doors to deposit waste material. Doors are self-closing and operate independently and may be used simultaneously. Maintenance schedule determines waste removal cycle. Empty unit by removing bottom waste container and inverting over collection bag. Waste container is captured by internal angle to prevent inadvertent dumping. Safety-edged finger grip provides convenient lift handle for service.

**TECHNICAL INFORMATION / PRODUCT PROPERTIES**

Property	Value
Dimensions	13" [330] x 4" [102] D x 17-1/4" [438] H
Construction	Type 304 Stainless Steel - Satin Finish
Mounting	Partition Mounted
Capacity	1.5 gal (5.7 L) of dry/solids Waste Capacity

**INSTALLATION**

Partition mount unit through precut partition cutout (PCO) using four (4) #10 x 3/4" [M5x20] Philips flat head or oval head self-threading screws (supplied) per side (eight [8] total) through mounting holes provided through fixed mounting frame and adjustable mounting frame into suitably prepared partition (by others). Mounting holes are offset 1/2" [13] from opposite side frame holes for screw clearance. Note that cutout is 3/16" [5] above cabinet door top and 13/16" [21] below mounting flange top edge. Mounting flanges adjust to accommodate partition thickness of 1/2" [13] to 3" [76] maximum. For compliance with 2010 ADA Accessibility Standards and maximum usability install unit with top of disposal door 33" [864] maximum Above Finished Floor (AFF) and 24" [610] min AFF and 27" [686] to centerline of cutout from rear wall.

Partition Cut Out (PCO) Required is 11-3/8" [289] W x 15-5/8" [397] H x 1/2" [13] to 3" [76] Thick

**WARRANTY**

One (1) Year from date of Invoice