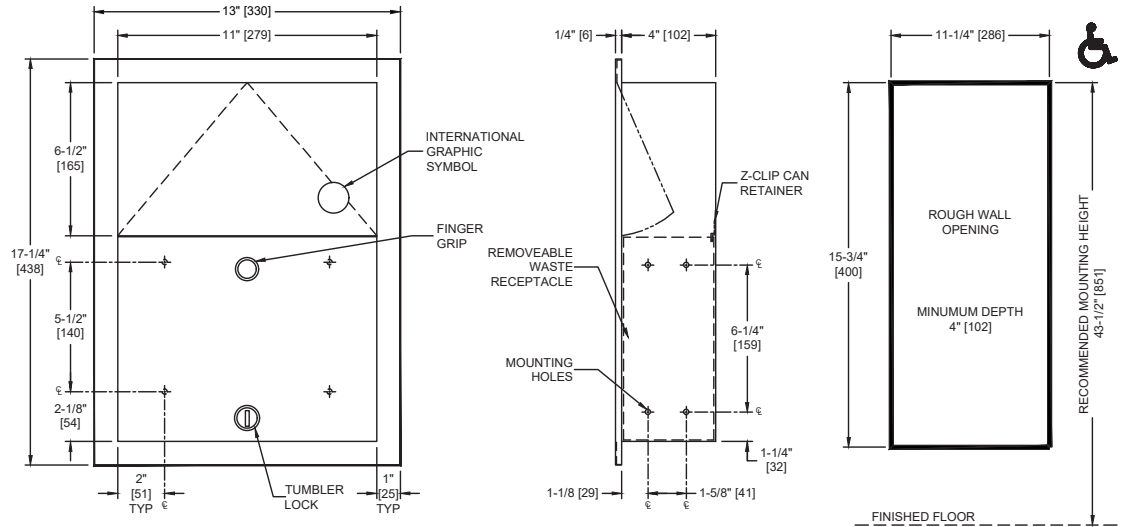


Sanitary Napkin Disposal with Lock – Recessed

Feminine Hygiene Vendors and Disposals

MasterFormat Section 10 28 13



Scan for Information



SUSTAINABILITY/LEED

MR 4.1 (1) MR 6 (1) EQ 4.2 (1)
MR 4.2 (1) EQ 4.1 (1) EQ 4.4 (1)

NOTE:
ALL DIM'S INCH [MM]
ILLUSTRATION FOR REF ONLY AND NTS

PRODUCT OVERVIEW

Self-closing door is mounted to cabinet with stainless steel spring hinge. Recessed for side wall installation. Holds 1.5 gal (5.7 liters) of dry/solids waste. Includes tumbler lock for servicing. Users push door to deposit waste material. Door is self-closing. Maintenance schedule determines waste removal cycle. Unit is emptied by removing bottom waste container and inverting over collection bag. Waste container is captured by internal angle and lock to prevent inadvertent dumping, unauthorized removal and safety-edged finger grip provides convenient grip for service. Door, flanges, waste receptacle and cabinet shall be 22 gauge type 304 stainless steel alloy 18-8.

KEY FEATURES & SPECIFICATIONS

- Disposal with Lock
- Type 304 Stainless Steel - Satin Finish
- Recessed
- 1.5 gal (5.7 L) of dry/solids Waste Capacity

OPERATION & MAINTENANCE

Users push door to deposit waste material. Door is self-closing. Maintenance schedule determines waste removal cycle. Unit is emptied by removing bottom waste container and inverting over collection bag. Waste container is captured by internal angle and lock to prevent inadvertent dumping , unauthorized removal and safety-edged finger grip provides convenient grip for service.

TECHNICAL INFORMATION / PRODUCT PROPERTIES

Property	Value
Dimensions	13" [330] W x 4-1/4" [108] x 17-1/4" [438]
Construction	Type 304 Stainless Steel - Satin Finish
Mounting	Recessed
Capacity	1.5 gal (5.7 L) of dry/solids Waste Capacity

INSTALLATION

Unit is mounted in wall recess using #10 self-threading screws (by others) through concealed mounting holes provided. Note top of rough wall opening is 3/4" [19] below top of unit.

Rough Wall Opening (RWO) required is 11-1/4" [268] W x 15-3/4" [400] H x 4" D minimum [102]

WARRANTY

One (1) Year from date of Invoice