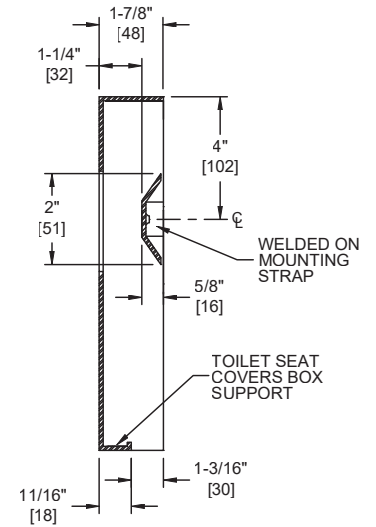
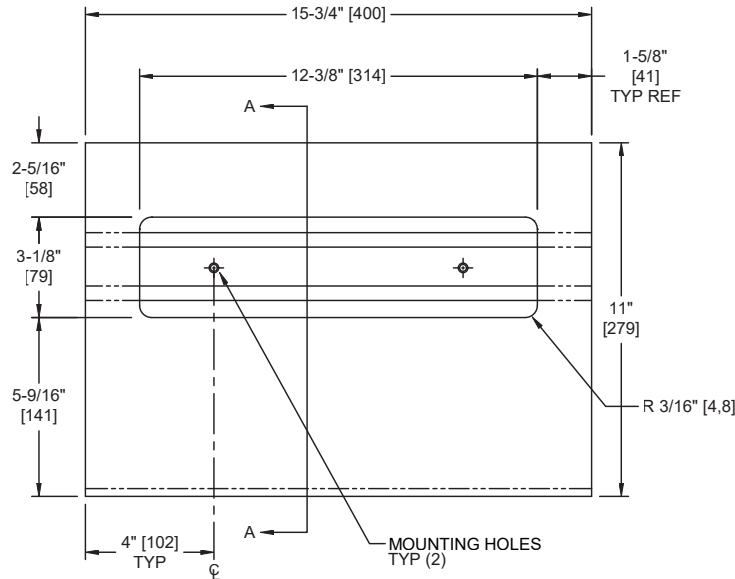


Toilet Seat Cover Dispenser – Matte Black Powder Coated Stainless Steel Surface – Surface Mounted

Toilet Tissue Dispensers

MasterFormat Section 10 28 13



Scan for Information



SUSTAINABILITY/LEED

MR 4.1 (1) MR 6 (1) EQ 4.2 (1)
MR 4.2 (1) EQ 4.1 (1) EQ 4.4 (1)

NOTE:
ALL DIM'S INCH [MM]
ILLUSTRATION FOR REF ONLY AND NTS

PRODUCT OVERVIEW

Surface mounted unit dispenses 250 single or half-fold seat covers. Fabricated of Matte Black Powder Coated 22 gauge type 304 stainless steel. Heavy-duty 3/16" Dia. [Ø4,8] Stainless steel multi-staked piano hinge door includes tumbler lock.

KEY FEATURES & SPECIFICATIONS

- Type 304 Stainless Steel - Matte Black Powder Coated
- Surface Mounted
- Cabinet 22 gauge

OPERATION & MAINTENANCE

Covers are self-feeding until supply is depleted. Unit is manually reloaded with a full box through concealed opening in bottom on schedule determined by maintenance requirements.

TECHNICAL INFORMATION / PRODUCT PROPERTIES

Property	Value
Dimensions	15-3/4" [400] W x 11" [279] H x 1-1/4" [32] D
Construction	Type 304 Stainless Steel - Matte Black Powder Coated
Mounting	Surface Mounted
Capacity	Dispenses 250 standard single or half-fold paper toilet seat covers

INSTALLATION

Unit is surface mounted on wall or partition using two (2) #10 x 1-1/2" [Ø5 x 40] self-threading screws (by others). Mounting holes are hidden behind dispenser box for vandal resistant locking but clearly accessible through dispenser slot for installation hanging. For compliance with 2010 ADA Accessibility Standards, unit should be installed so that dispenser slot is 54" [1372] maximum above finished floor (AFF) if clear floor side reach access is provided or 48" [1219] maximum AFF if clear floor forward reach access only is provided or 46" [168] maximum AFF if side reach over an obstruction only is provided (ie: vanity).

OPTIONS

N/A

WARRANTY

One (1) Year from date of Invoice