

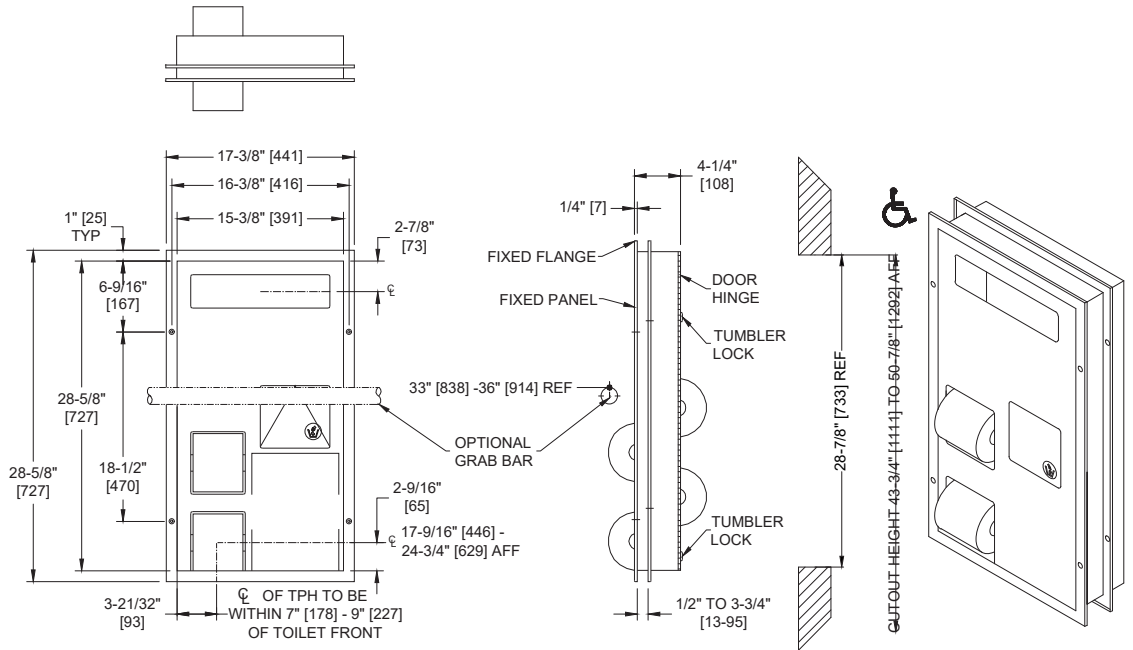
**Toilet Seat Cover & Toilet Tissue Dispensers w/ Napkin Disposal (Dual Access) for Handicapped**

Specialty Accessories

MasterFormat Section 10 28 13



Scan for Information



**SUSTAINABILITY/LEED**

MR 4.1 (1) MR 6 (1) EQ 4.2 (1)  
MR 4.2 (1) EQ 4.1 (1) EQ 4.4 (1)

**NOTE:**  
ALL DIM'S INCH [MM]  
ILLUSTRATION FOR REF ONLY AND NTS

**PRODUCT OVERVIEW**

Toilet tissue and receptacle on opposite sides of 0481-HC. One side mounts flush on barrier-free compartment side to allow grab bar clearance. Usable by both sides but serviced from one side. Access door shall be opposite HC stall. Holds 1000 seat covers and four (4) rolls of standard or 1800 sheet 4-1/2" [114] x 5-1/4" [133] diameter toilet paper. Removable waste container has a waste capacity of 1.3 gal [4.9 liters]. Cabinet door is held closed with two (2) tumbler locks. Cabinet also includes theft and vandal resistant rollers molded of high-impact resistant plastic with integral molded-in stainless steel endpins and four (4) rollers [p/n R-004] are supplied.

**KEY FEATURES & SPECIFICATIONS**

- Dual Access Combination Unit for ADA Stalls
- Seat Cover / Fem Disposal / Combo
- Type 304 Stainless Steel - Satin Finish
- Internal baffles prevent line of sight between stalls
- Partition Mounted
- ADA Compliant - One side mounts flush on barrier-free compartment to allow grab bar clearance.
- 1,000 seat covers / 4 Rolls of Toilet Tissues / 1.3 Gal. (4.9 L) Removable Waste Can

**OPERATION & MAINTENANCE**
**TECHNICAL INFORMATION / PRODUCT PROPERTIES**

Property	Value
Dimensions	17-3/8" x 30-5/8" x 4-1/4" [441 x 778 x 108]
Construction	Type 304 Stainless Steel - Satin Finish Internal baffles prevent line of sight between stalls
Mounting	Partition Mounted
Capacity	1,000 seat covers / 4 Rolls of Toilet Tissues / 1.3 Gal. (4.9 L) Removable Waste Can

**INSTALLATION**

Mount unit in partition using #10 x 3/4" self-threading Philips oval head screws (supplied). Holes in flanges are 1" [25] offset to prevent screw interference. For compliance with ICC/ANSI A-117.1-2003 and 2010 ADA Accessibility Standards top of cutout should be between 43-3/4" and 50-7/8" [1111 and 1292] Above Finished Floor (AFF). One trim mounting flange adjusts for partition thickness of 1/2" to 3-3/4" [13 to 95]. To comply with CalDAG mounting height, top of cutout should be 42-7/8" [1089] maximum AFF. Note partition cutout is 7/8" [22] below top of face trim. If optional grab bar is used (not supplied) it is positioned across unit with top of grip surface at 33" [838] minimum AFF. Partition Cut-Out (PCO) Required: 15-1/2" W x 28-7/8" H [394 x 733] x 1/2" to 3-3/4" [13 to 95] thick partition

**ADDITIONAL INFORMATION**
**WARRANTY**

One (1) Year from date of Invoice