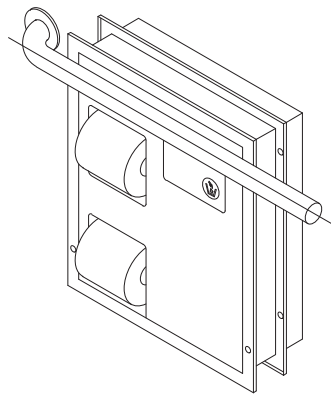
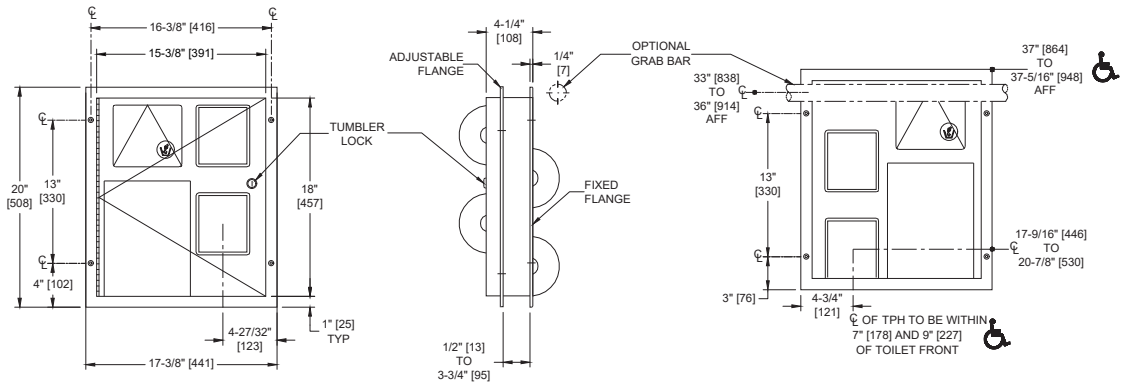


**Toilet Tissue Dispenser / Napkin Disposal (Dual Access) for Handicapped – Partition Mounted**

Specialty Accessories

MasterFormat Section 10 28 13



Scan for Information



**SUSTAINABILITY/LEED**

MR 4.1 (1) MR 6 (1) EQ 4.2 (1)  
MR 4.2 (1) EQ 4.1 (1) EQ 4.4 (1)

**NOTE:**  
ALL DIM'S INCH [MM]  
ILLUSTRATION FOR REF ONLY AND NTS

**PRODUCT OVERVIEW**

Similar to 04813, but one side mounts flush on barrier-free compartment side to allow grab bar clearance. Mounts through partition, usable by both sides but serviced from one side. Holds 4 rolls of standard or 1800 sheet 4-1/2" [114] x 5-1/4" diameter [Ø133] toilet paper. Removable waste container has a waste capacity of 1.3 gal [4.9 liters]. Cabinet door is held closed with two (2) tumbler locks keyed alike to other ASI washroom equipment. Cabinet also includes theft and vandal resistant rollers molded of high-impact resistant plastic with integral molded-in stainless steel endpins and four (4) rollers [p/n R-004] are supplied. Waste disposal door and toilet paper dispenser door shall be 18 gauge type 304 stainless steel alloy 18-8. Face frame and cabinet shall be 22 gauge.

**KEY FEATURES & SPECIFICATIONS**

- Dual Access Partition Mounted
- Type 304 Stainless Steel - Satin Finish
- Partition Mounted

**OPERATION & MAINTENANCE**

Toilet paper rolls feed freely until depleted and level of supply is constantly visible for low-level warning. Waste receptacle is emptied manually on cycle determined by maintenance needs. Toilet paper rolls and waste receptacle are serviced from one side, for both stalls, by unlocking and opening door. Locked door prevents inadvertent dumping and unauthorized removal. Waste container safety-edged finger hole provides convenient grip for service. Toilet paper spindles are carried in vandal resistant sub-frame accessible when door is opened. Baffle construction preserves privacy between stalls at all times.

**TECHNICAL INFORMATION / PRODUCT PROPERTIES**

Property	Value
Dimensions	17-3/8" [441] W x 20" [508] H x 4-1/4" [108] D
Construction	Type 304 Stainless Steel - Satin Finish
Mounting	Partition Mounted
Capacity	

**INSTALLATION**

Mount unit in partition using #10 x 3/4" self-threading Philips oval head screws (supplied). Holes in flanges are offset to prevent screw interference. Install unit so that top of face trim is 34" to 37-5/16" [864 to 948] Above Finished Floor (AFF). Note partition cutout is 7/8" [22] below top of face trim.  
 Partition Cut-Out (PCO) Required: 15-1/2" [394] W x 18-1/4" [464] H x 1/2" [13] to 3-3/4" [95] thick partition

**ADDITIONAL INFORMATION**

N/A

**WARRANTY**

One (1) Year from date of Invoice