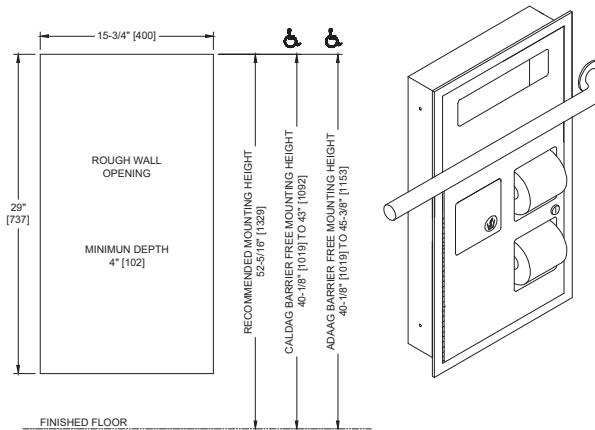
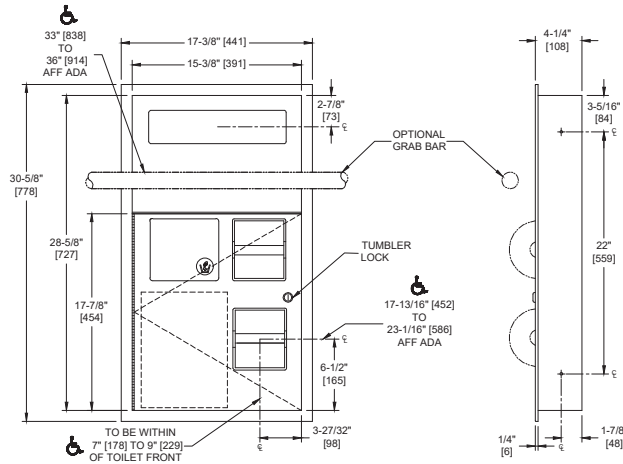


**Toilet Seat Cover & Toilet Tissue Dispensers w/ Napkin Disposal – Recessed**

Specialty Accessories

Traditional

MasterFormat Section 10 28 13



**NOTE:**  
ALL DIM'S INCH [MM]  
ILLUSTRATION FOR REF ONLY AND NTS

Scan for Information



**SUSTAINABILITY/LEED**

MR 4.1 (1) MR 6 (1) EQ 4.2 (1)  
MR 4.2 (1) EQ 4.1 (1) EQ 4.4 (1)

**PRODUCT OVERVIEW**

Holds and dispenses 1000 paper seat covers and two (2) rolls standard or 1800 sheet 4-1/2" [114] x 5-1/4" diameter [Ø133] toilet paper. Removable waste container has a capacity of 1.3 gal [4.9 liters] or 300 in3 [.005 m3]. Cabinet door is held closed with tumbler lock. Cabinet also includes theft and vandal resistant rollers molded of high-impact resistant plastic with integral molded-in stainless steel endpins and two (2) rollers [p/n R-004] are supplied. Seat cover dispenser panel and toilet paper dispenser door shall be fabricated of 18 gauge type 304 stainless steel alloy 18-8. Face frame and cabinet shall be 22 gauge same grade material.

**KEY FEATURES & SPECIFICATIONS**

- Combination Unit
- 18 gauge Door
- Type 304 Stainless Steel - Satin Finish
- Multi-staked piano hinge
- Recessed
- 1,000 seat covers / 2 Tissue Rolls / 1.3 gal (4.9 L) Waste Capacity

**OPERATION & MAINTENANCE**

Push self-closing disposal door to deposit waste material. Seat covers are self-feeding until supply is depleted. Toilet paper rolls feed freely until depleted and level of supply is constantly visible for low-level warning. Waste receptacle is emptied manually on cycle determined by maintenance needs. Toilet paper rolls, paper seat covers and waste receptacle are serviced by unlocking and opening door. Locked door prevents inadvertent dumping and unauthorized removal. Waste container safetyedged finger hole provides convenient grip for service. Toilet paper spindles are carried in vandal resistant sub-frame accessible when door is opened.

**TECHNICAL INFORMATION / PRODUCT PROPERTIES**

Property	Value
Dimensions	17-3/8" [441] W x 30-5/8" [508] H x 4-1/4" [108] D
Construction	Type 304 Stainless Steel - Satin Finish 18 Ga Door with Multi-staked piano hinge
Mounting	Recessed
Capacity	1,000 seat covers / 2 Tissue Rolls / 1.3 gal (4.9 L) Waste Capacity

**INSTALLATION**

Mount unit in wall recess using four (4) #10 self-threading screws (by others) through concealed mounting holes provided. Note that top of Rough Wall Opening (RWO) is 13/16" [21] below top of unit. For 2010 ADA Accessibility Standards the centerline of the TP Dispenser should be located within 7" to 9" [178 to 227] of the front of the toilet and the TP Dispenser opening bottom should be above 15" [381] minimum Above Finished Floor (AFF) while the Seat Cover Dispenser opening centerline should be no higher than 48" [1219] maximum Above Finished Floor (AFF). An optional GB (not provided) at 33" [838] to 36" [914] AFF to the top of the bar should allow the service door top to clear the bottom of the bar when opening the door.  
 Rough Wall Opening (RWO) required is 15-3/4" [400] W x 29" [737] H x 4" [102] D minimum

**ADDITIONAL INFORMATION**

N/A

**WARRANTY**

One (1) Year from date of Invoice