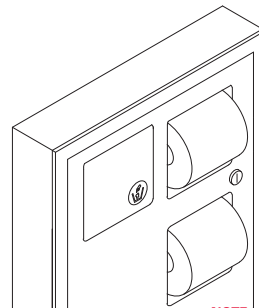
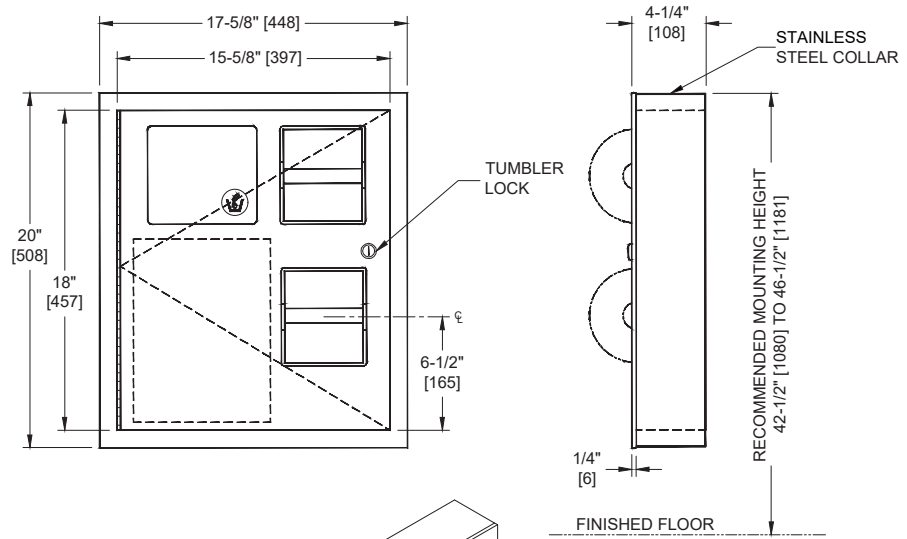


**Toilet Tissue Dispenser w/ Napkin Disposal & Collar for Surface Mounting**

Specialty Accessories

Traditional

MasterFormat Section 10 28 13



**NOTE:**  
ALL DIM'S INCH (MM)  
ILLUSTRATION FOR REF ONLY AND NTS  
Wall bracket is surface mounted using #10 self-threading pan head screws (provided by others to suit wall conditions) in a manner capable of supporting 300 lbs (136.1 kg) of downward force. Ensure that mounting configuration complies with local building codes. Secure hook to bracket by tightening three (3) hex socket set screws on perimeter of flange with a 1/8" hex wrench. For compliance with ADA Accessibility Guidelines install the hook center-line 54" [1372] maximum Above Finished Floor (AFF) when clear floor side reach access is provided or 48" [1219] maximum AFF with clear floor forward reach access only provided.

Scan for Information



**SUSTAINABILITY/LEED**

MR 4.1 (1) MR 6 (1) EQ 4.2 (1)  
MR 4.2 (1) EQ 4.1 (1) EQ 4.4 (1)

**PRODUCT OVERVIEW**

Holds and dispenses two (2) rolls standard or 1800 sheet 4-1/2" [114] x 5-1/4" [133] diameter toilet paper. Waste capacity of 1.3 gal [4.9 liters] or 300 cubic inches [.005m<sup>3</sup>]. Includes stainless steel collar for surface mounting. Toilet paper dispenser/disposal door is held closed with a tumbler lock. Cabinet includes theft and vandal resistant rollers molded of high-impact resistant plastic with integral molded-in stainless steel endpins and two (2) rollers [p/n R-004] (supplied).

**KEY FEATURES & SPECIFICATIONS**

- Combination Unit
- Place forearm in the door pull and open the door using arm strength
- Type 304 Stainless Steel - Satin Finish
- Heavy Duty 11 gauge thickness
- Surface Mounted
- Easy to retroactively mount to existing doors.
- 1.3 gal (4.9 L) Waste Capacity

**OPERATION & MAINTENANCE**

Push self-closing disposal door to deposit waste material. Toilet paper rolls feed freely until depleted and level of supply is constantly visible for low-level warning. Waste receptacle is emptied manually on cycle determined by maintenance needs. Toilet paper rolls and waste receptacle are serviced by unlocking and opening door. Locked door prevents inadvertent dumping and unauthorized removal. Waste container safety-edged finger hole provides convenient grip for service. Toilet paper spindles are carried in vandal resistant sub-frame accessible when door is opened.

**TECHNICAL INFORMATION / PRODUCT PROPERTIES**

Property	Value
Dimensions	17-3/8" x 20" x 4-1/4" [441 x 508 x 108]
Construction	Type 304 Stainless Steel - Satin Finish Heavy Duty 11 gauge thickness
Mounting	Surface Mounted
Capacity	1.3 gal (4.9 L) Waste Capacity

**INSTALLATION**

Slide a stainless steel collar over the rear of cabinet and then surface mount cabinet to partition or wall using #10 self-threading screws (by others) through concealed mounting holes provided.

**ADDITIONAL INFORMATION**

**WARRANTY**

One (1) Year from date of Invoice