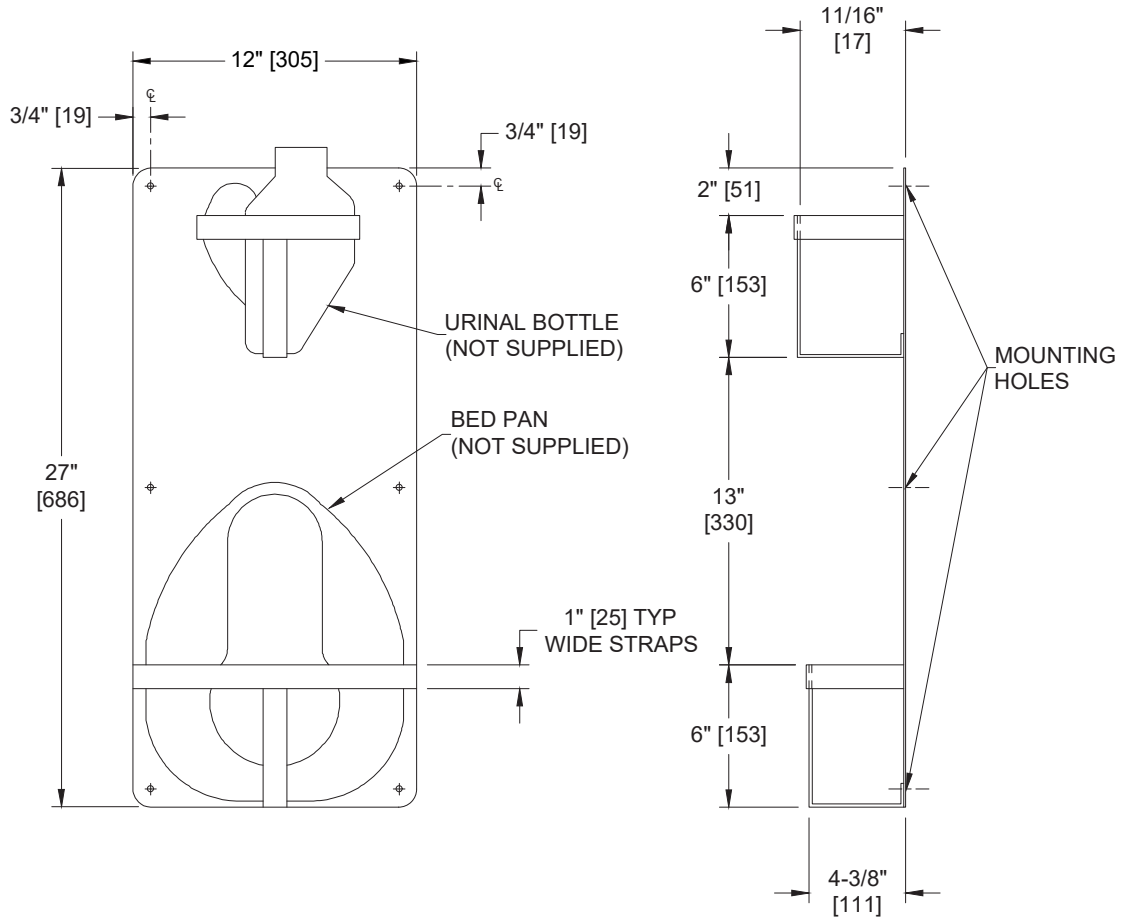


Bed Pan & Urinal Holder – Surface Mounted

Healthcare Accessories

MasterFormat Section 10 28 13



NOTE:
ALL DIM'S INCH [MM]
ILLUSTRATION FOR REF ONLY AND NTS
PHYSICAL BED PAN AND URINAL BOTTLE ARE REQUIRED TO CHECK
FOR PROPER FIT

Scan for Information



SUSTAINABILITY/LEED

MR 4.1 (1) MR 6 (1) EQ 4.2 (1)
MR 4.2 (1) EQ 4.1 (1) EQ 4.4 (1)

PRODUCT OVERVIEW

Holds one (1) conventional bedpan and one (1) urinal bottle (by others, of types indicated on shop fabrication drawings). The urinal bottle is stored in the top strap rack and the bedpan is stored in the bottom strap rack. Physical bed pan (by others, not included) and urinal bottle (by others, not included) are required to check for proper fit.

KEY FEATURES & SPECIFICATIONS

- Bed Pan & Urinal Holder Mounted
- Type 304 Stainless Steel, Alloy 18-8 back plate 18 gauge straps 16 gauge - Satin Finish
- Heavy duty stainless steel multi-staked 3/16" diameter [Ø5]
- Surface Mounted

OPERATION & MAINTENANCE

The urinal bottle is stored in the top strap rack and the bedpan is stored in the bottom strap rack.

TECHNICAL INFORMATION / PRODUCT PROPERTIES

Property	Value
Dimensions	12" [305] W x 27" [686] H x 4-3/8" [111] D
Construction	Type 304 Stainless Steel - Satin Finish
Mounting	Surface Mounted
Capacity	Holds one (1) conventional type bedpan and one (1) washbasin

INSTALLATION

For compliance with 2010 ADA Accessibility Standards, install unit so that top of rack is 54" [1372] maximum Above Finished Floor (AFF) if clear floor side reach access is provided or 48" [1219]. Surface mount and secure rack to wall with six (6) #10 self-threading screws (by others) through mounting holes in back plate.

WARRANTY

One (1) Year from date of Invoice