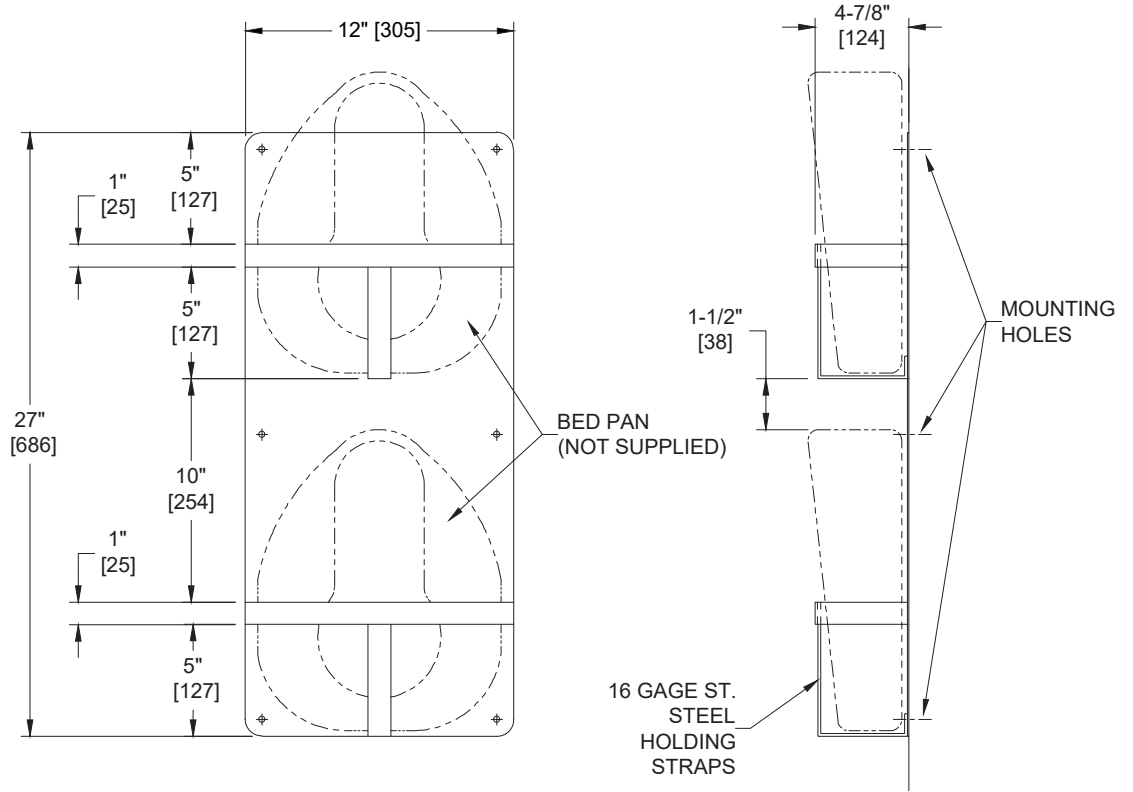


**Double Bed Pan Rack – Surface Mounted**

Healthcare Accessories

MasterFormat Section 10 28 13



Scan for Information



**SUSTAINABILITY/LEED**

MR 4.1 (1) MR 6 (1) EQ 4.2 (1)  
MR 4.2 (1) EQ 4.1 (1) EQ 4.4 (1)

**NOTE:**  
ALL DIM'S INCH [MM]  
ILLUSTRATION FOR REF ONLY AND NTS  
PHYSICAL SAMPLES SHOULD BE PROVIDED TO CHECK FOR PROPER FIT

**PRODUCT OVERVIEW**

Holds two (2) conventional bedpans. Bedpans are stored vertically in the rack one on top of the other and held in place by associated T-straps. Physical bed pan (by others, not included) is required to check for proper fit.

**KEY FEATURES & SPECIFICATIONS**

- Double Pan Holder
- Type 304 Stainless Steel, Alloy 18-8 back plate 18 gauge straps 16 gauge - Satin Finish
- Heavy duty stainless steel multi-staked 3/16" diameter [Ø5]
- Surface Mounted

**OPERATION & MAINTENANCE**

Bedpans are stored vertically in the rack one on top of the other and held in place by associated T-straps.

**TECHNICAL INFORMATION / PRODUCT PROPERTIES**

Property	Value
Dimensions	12" [305] W x 27" [686] H x 4-7/8" [124] D
Construction	Type 304 Stainless Steel - Satin Finish
Mounting	Surface Mounted
Capacity	Holds two (2) conventional type bedpan.

**INSTALLATION**

For compliance with 2010 ADA Accessibility Standards, install unit so that top of rack is 54" [1372] maximum Above Finished Floor (AFF) if clear floor side reach access is provided or 48" [1219] maximum Above Finished Floor (AFF). Surface mount and secure rack to wall with six (6) #10 self-threading screws (by others) through mounting holes in back plate.

**WARRANTY**

One (1) Year from date of Invoice