



AMERICAN SPECIALTIES, INC.
 441 Saw Mill River Road, Yonkers, NY 10701
 (914) 476.9000 • (914) 476.0688
 www.americanspecialties.com

MODEL №: 0661-1/2

ISSUED: 29 JAN 2019

REVISED: 03 JAN 2023

VELARE™ BTM SYSTEM CABINET INSTALLATION GUIDE (Pg 1 of 3)

IMPORTANT: READ THESE INSTRUCTIONS COMPLETELY PRIOR TO BEGINNING INSTALLATION & RETAIN FOR FUTURE REFERENCE WITH SUB-SYSTEM OM'S.

Open the mirrored door using the tumbler lock located at the bottom of unit in order to access the interior of the module. Use caution when opening the door as the gas springs will raise the door from closed position. Remove and retain the key for future access.

Pack contents:

- 1x 6V AC/DC Adapter with 1 output plug for Liquid Soap Dispenser
- 1x 12V AC/DC Adapter with 1 output plug for LED Lighting System
- 2x Mounting Hanging Brackets

INSTALLATION OF WALL MOUNTING HANGER HOOKS

Appropriate wall reinforcement and AC quad outlet must be prepared prior to initiating the Velare™ BTM System installation (see Fig. 2 for blocking reference and Fig. 5 for Electrical KO location). Install the two (2) wall mounting hanger hooks located in the interior of the module on wall using twelve (12) № 12 self-threading, pan-head screws (by others) (Fig. 1) into appropriate wall reinforcements (Fig. 2). Hang the cabinet on wall mounting hanger hooks (Fig. 3). Suggested mounting height is to position bottom of module 16" [406] to 20" [508] above vanity top (Fig. 4). Power can be provided to the interior of module through the Electrical Service KO for quad outlets located at the back of the cabinet.

IMPORTANT: Install two (2) № 12 self-threading locking screws (by others) at the security locking holes to prevent unit from being lifted off hanger hooks.

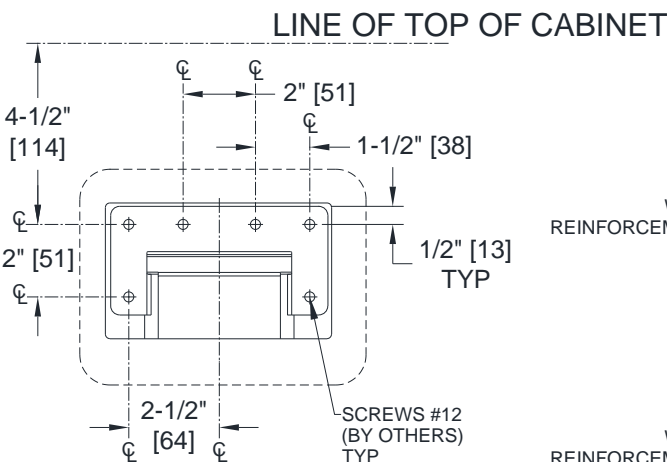


Fig. 1

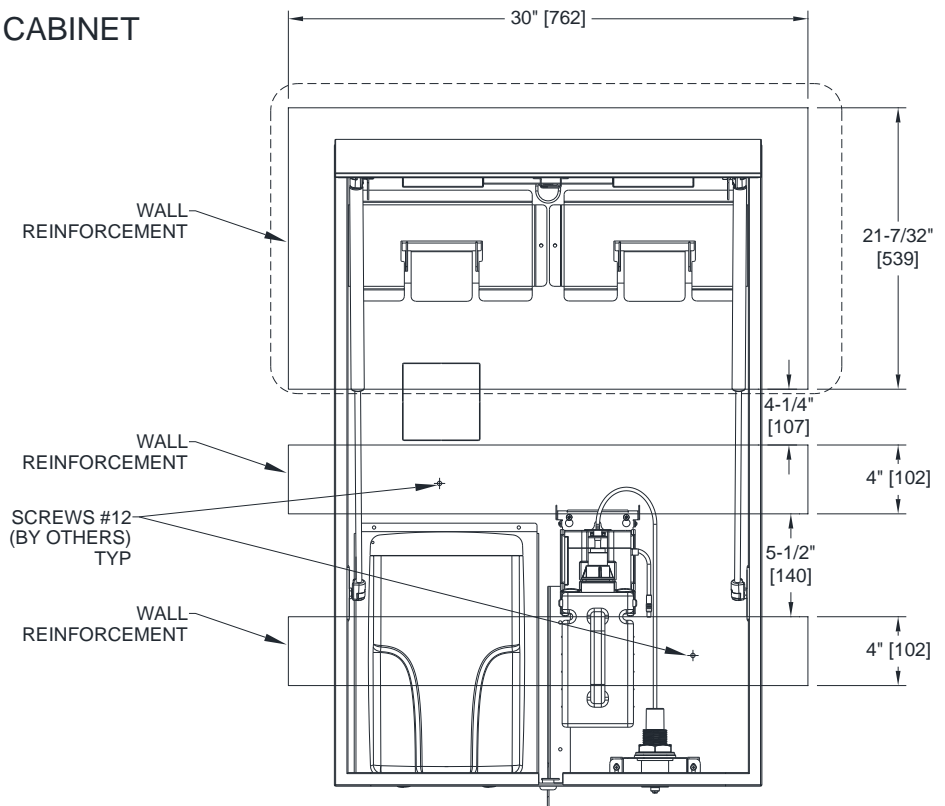


Fig. 2

NOTE:

ALL DIM'S INCH [MM]
 ILLUSTRATION FOR REF ONLY AND NTS



AMERICAN SPECIALTIES, INC.
441 Saw Mill River Road, Yonkers, NY 10701
(914) 476.9000 • (914) 476.0688
www.americanspecialties.com

MODEL №: 0661-1/2

ISSUED: 29 JAN 2019

REVISED: 03 JAN 2023

VELARE™ BTM SYSTEM CABINET INSTALLATION GUIDE (Pg 2 of 3)

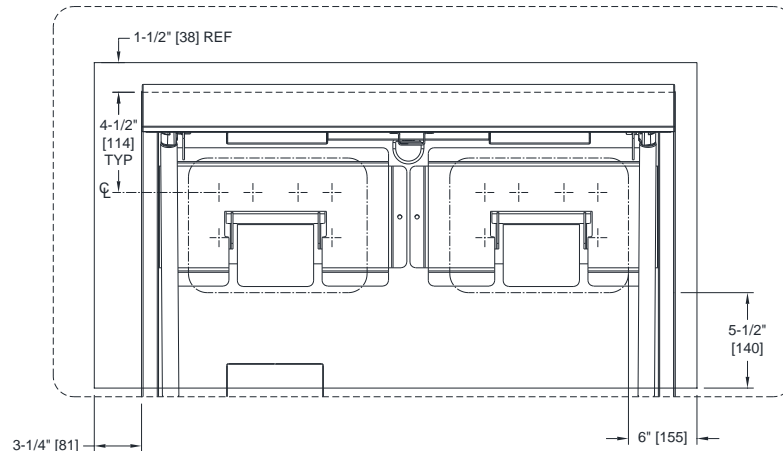


Fig. 3

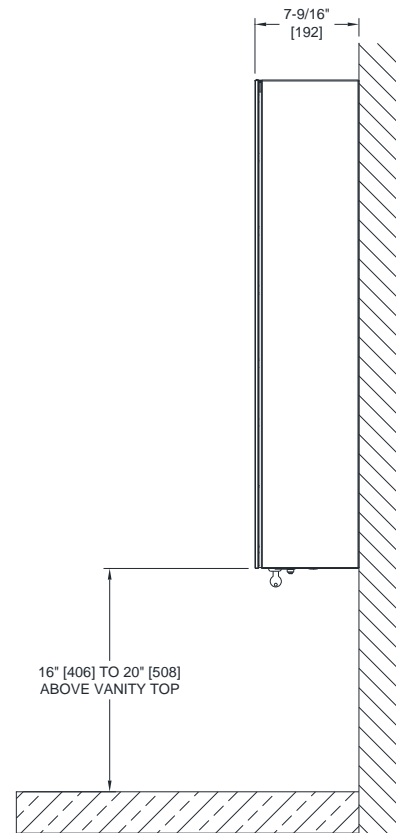


Fig. 4

INSTALLATION OF LED-LIGHTING

Connect the output connector plug of the 12V AC/DC Adapter (provided) into the DC Power switch socket (provided) located at the top of the cabinet. Connect the 12V AC/DC Adapter (provided) to the quad outlet (by others). Turn ON the DC switch (provided).

INSTALLATION OF HAND DRYER

Electrical service is supplied and connected by others. The power wiring should go through the KO located at the Hand Dryer Bracket. Refer to 0196-OM for power wiring installation. Hand Dryer Cover can be removed by removing the two (2) black plastic hole caps located at the bottom of the cabinet to access the cover security screws with the security hex key provided with the 0196 dryer.

INSTALLATION OF LIQUID SOAP DISPENSER

Liquid Soap Dispenser includes power supply adapter (provided, item 1) to be connected into one of the quad outlets (by others). Soap Tank can be filled by removing the soap tank from soap tank holder bracket and lifting out the Liquid Soap Pump Assembly. Fill the tank with liquid soaps with a pH in range 7 ± 1.5 and viscosity in range 100 ~ 3000 cP (mPa•s). Replace the Liquid Soap Pump Assembly after filling and place the soap tank back to the soap tank holder bracket. Make sure the soap tube has no kinks when refitting the Liquid Soap Pump Assembly to the soap tank and it is not pinched.

INSTALLATION OF PULL-DOWN STRAP (BY OTHERS)

For ease of service by height challenged individuals an optional strap (not supplied, by others) can be attached to the D-ring welded onto the T-track raceway on the inside of the mirror door (see Fig. 5). This will provide a lower pulling point to aid in closing the door to the point that the gas struts will assist in final closing to shut position.



AMERICAN SPECIALTIES, INC.
 441 Saw Mill River Road, Yonkers, NY 10701
 (914) 476.9000 • (914) 476.0688
 www.americanspecialties.com

MODEL №: 0661-1/2

ISSUED: 29 JAN 2019

REVISED: 03 JAN 2023

VELARE™ BTM SYSTEM CABINET INSTALLATION GUIDE (Pg 3 of 3)

WIRING NOT ALL SHOWN FOR ENHANCED CLARITY

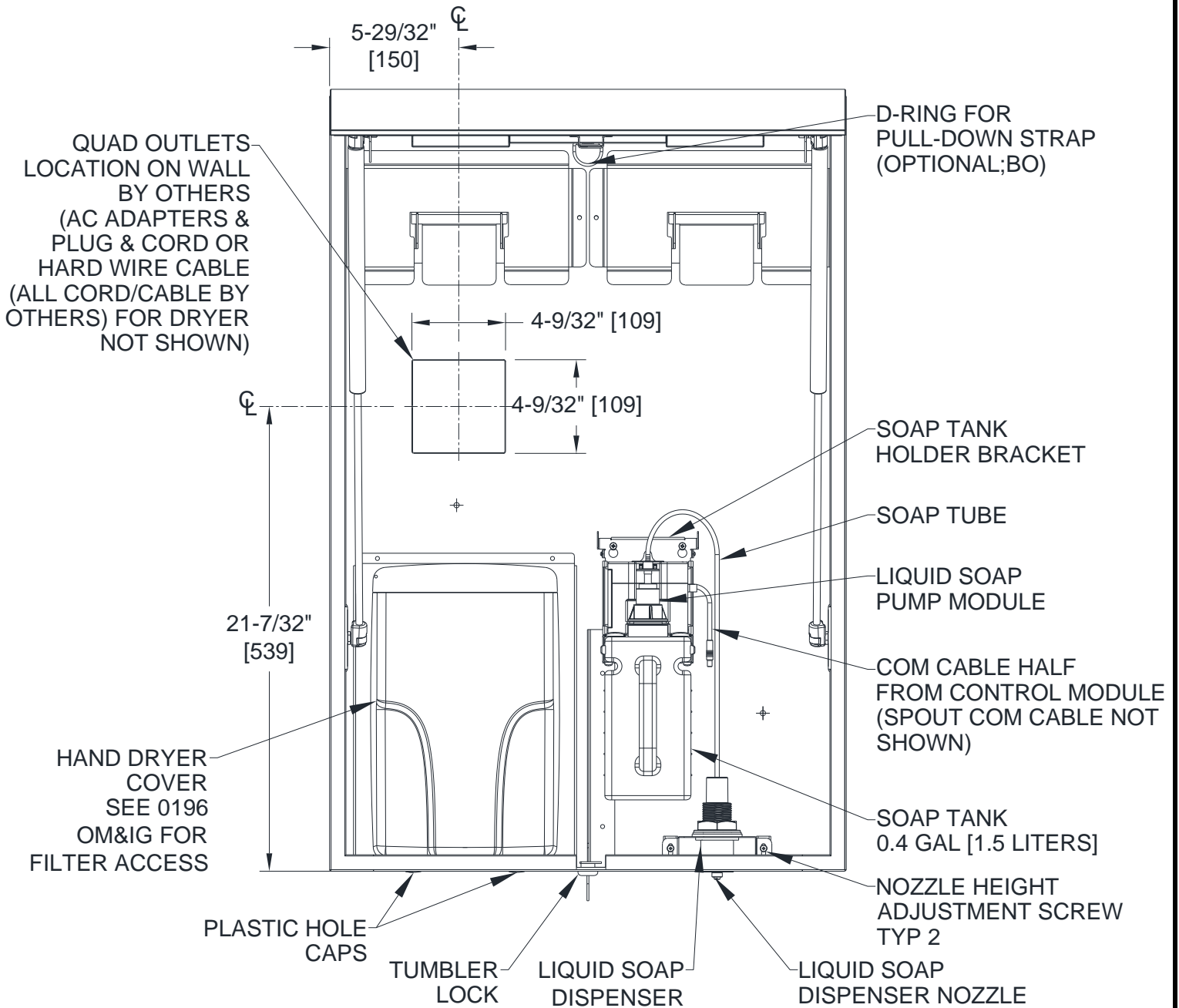


Fig. 5