

Velare™ – Stainless Steel Cabinet with Frameless Mirror, Liquid Soap Dispenser and High-Speed Hand Dryer (208-240V)

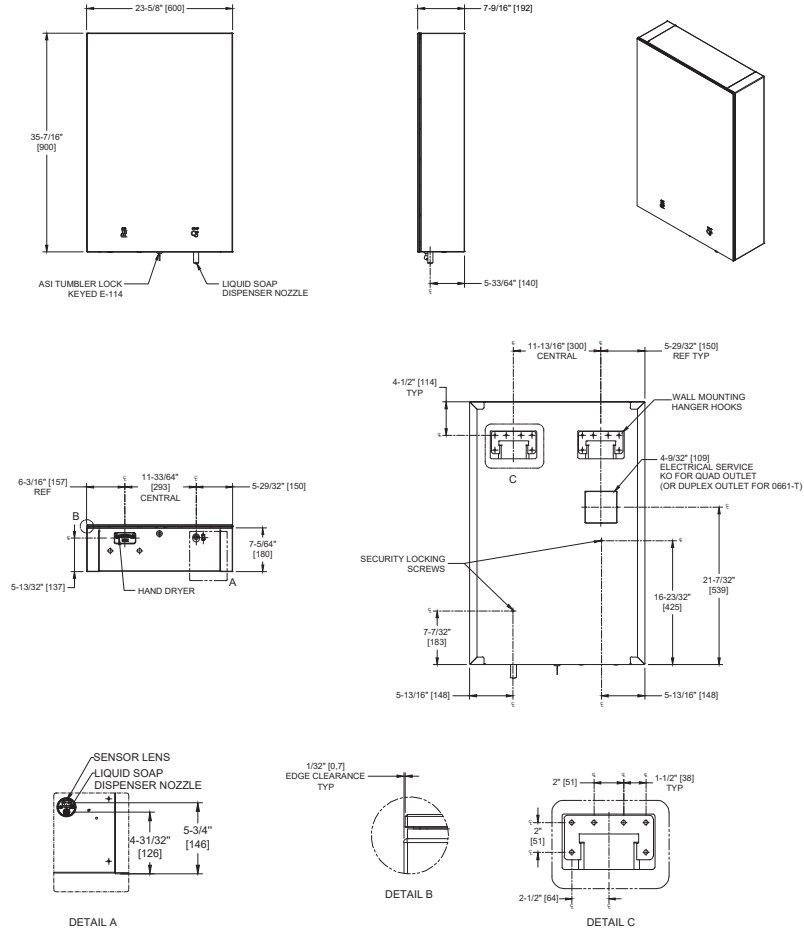
Soap Dispensers Velare

MasterFormat Section 10 28 13



SUSTAINABILITY/LEED

MR 4.1 (1) MR 6 (1) EQ 4.2 (1)
MR 4.2 (1) EQ 4.1 (1) EQ 4.4 (1)



NOTE:
ALL DIM'S INCH [MM]
ILLUSTRATION FOR REF ONLY AND NTS
SEE SOAP DISPENSER CARE & MAINTENANCE
DOCUMENT ONLINE FOR CLEANING

PRODUCT OVERVIEW

ASI's Velare™ Behind the Mirror (BTM) is designed for elegance and safety in mind, concealing consumables in a cabinet made from type 304 stainless steel. The cabinet features a mirrored door with backlit icons that indicate functions provided from the bottom panel of each module. Mirror is made from 1/4" [6] thick frameless tempered glass conforming to ASTM C-1048 with pencil edges and eased corners with SS sheet intermediate stiffener and SS back plate with integral welded support mounts, hinge and lock keeper. The mirrored door is attached to the cabinet using a full width 3/16" diameter [5 dia.] concealed piano hinge and is secured shut using a tumbler lock and key. Support for mirror door is provided by twin damped gas springs to assist opening from 15° to 90° with soft-stop cushion at full open and when lowering to full closed position for locking. This wall mounted stainless steel cabinet conceals a hands-free automatic liquid soap dispenser with a 1.5 gal (6 L) capacity and a high-speed hand dryer (208-240V) equipped with a HEPA filter. Mirror backlights operate on 100 – 240 VAC provided to quad (double-duplex) outlet (by others) concealed behind the cabinet into which a standard appliance power cord and AC adapters are plugged into at installation. Soap Requirements: Proper usage of this dispenser requires, that only soap within the following range for viscosity and pH may be used. Viscosity Range (mPa•s or cP): 100 – 3000 pH Range: 5.5 ~ 8.5 Matching filler modules (FM) are available as spacers between cabinets.

KEY FEATURES & SPECIFICATIONS

- Space saving mirror cabinet conceals a high capacity liquid soap dispenser and high speed hand dryer
- Backlit icons etched into the mirror direct the user to soap dispenser and drying option
- Cabinet body is made of Type 304 Stainless Steel
- 1/4" thick tempered glass mirror has a pencil edge with a radius for safety and elegance
- Surface Mounted
- Automatic - AC - 208-240V "No Touch" Hand Dryer - has a removable HEPA filter
- Liquid Soap Dispenser - 1.5 gal (6.0 L) capacity

OPERATION & MAINTENANCE

Towels are self-feeding until supply is depleted from manually loaded stack. Use MFTA-2 with Z-Fold (Multi-Fold) towels, placed in towel chute with rounded lips down. Remove MFTA-2 when using C-Fold towels and store inside cabinet next to towel chute. HEPA filter is changed on cycle determined by maintenance needs for models with hand dryer. Liquid soap with a pH in range 7 ± 1.5 and viscosity range 100~3000 cP (mPa•s) is refilled into 6L tank on cycles determined by maintenance needs. Towel stack is replenished on cycle determined by maintenance needs. Locked compartment prevents unauthorized access or removal. See Owner Manuals for complete details of operation.

TECHNICAL INFORMATION / PRODUCT PROPERTIES

Property	Value
Dimensions	23-5/8" x 35-7/16" x 7-9/16" [600 x 900 x 192]
Construction	Type 304 Stainless Steel - Satin Finish. 1/4" thick tempered glass mirror w/ radiused pencil edge.
Mounting	Surface Mounted
Options	N/A

INSTALLATION

Mount unit on wall using twelve (12) #12 self-threading, pan-head screws (by others) through two (2) concealed mounting plates into appropriate anchoring and wall reinforcements and hang unit on hooks on mounting plates. Install two (2) #12 self-threading locking screws (by others) into appropriate anchoring to prevent unit from being lifted off hanger hooks. Suggested mounting height is to position bottom of module 16" to 20" [406 to 508] above vanity top. See complete guide before starting installation.

WARRANTY

One (1) Year from date of invoice