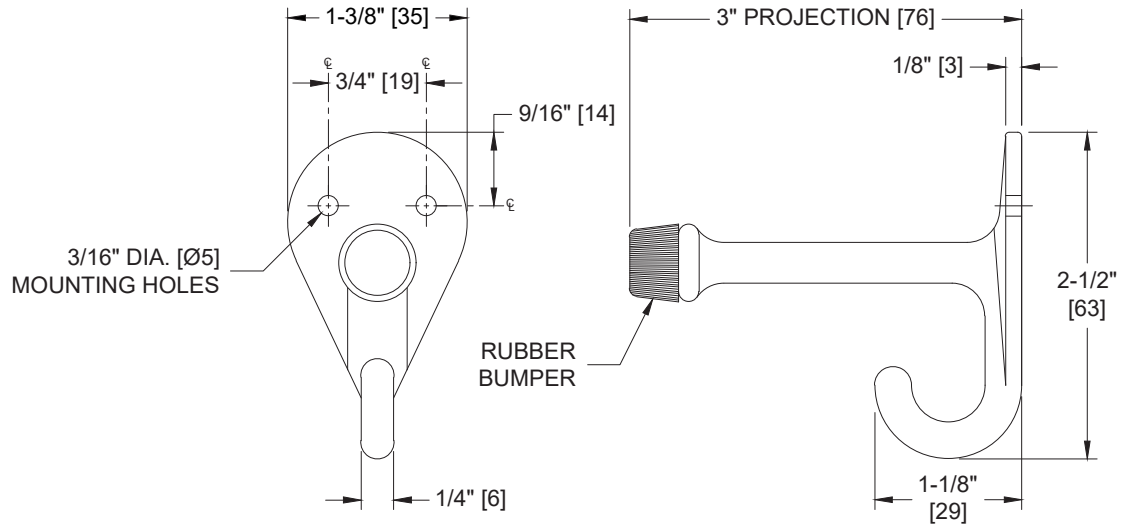


Coat Hook and Bumper – Chrome Plated Zinc – Surface Mounted

Specialty Accessories

MasterFormat Section 10 28 13



Scan for Information



SUSTAINABILITY/LEED

MR 4.1 (1) MR 6 (1) EQ 4.2 (1)
MR 4.2 (1) EQ 4.1 (1) EQ 4.4 (1)

NOTE:
ALL DIM'S INCH [MM]
ILLUSTRATION FOR REF ONLY AND NTS

PRODUCT OVERVIEW

Fabricated of chrome plated zinc with a black neoprene bumper to protect wall and or partition surfaces. Two (2) mounting holes capable of accommodating #10 screws (supplied by others) are provided for anchoring unit to wall.

KEY FEATURES & SPECIFICATIONS

- Type 304 Stainless Steel - Satin Finish
- Surface Mounted

OPERATION & MAINTENANCE

Washroom accessory products require regular surface cleaning, much the same as stainless steel sinks, pots and pans, and eating utensils. As long as a regular cleaning schedule is followed, the best method is cleaning with a soft clean rag moistened with a mild detergent, followed by a water-moistened clean rag and then a dry rag.

TECHNICAL INFORMATION / PRODUCT PROPERTIES

Property	Value
Dimensions	1-3/8" [35] W x 2-1/2" [63] H x 3" [76] D
Construction	Type 304 Stainless Steel - Satin Finish
Mounting	Surface Mounted
Capacity	

INSTALLATION

Bumper is surface mounted to wall or partition using #10 self-threading pan head screws (supplied by others).

ADDITIONAL INFORMATION

N/A

WARRANTY

One (1) Year from date of Invoice