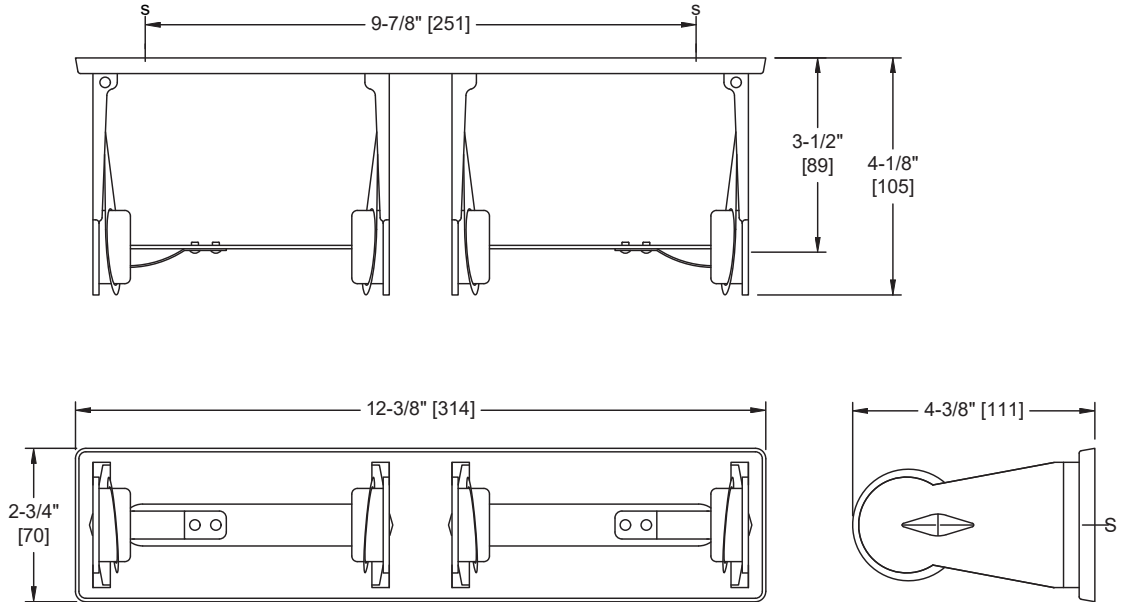
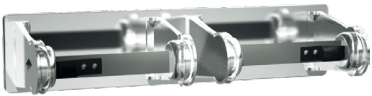


Toilet Tissue Holder (Double) – Chrome Plated – Surface Mounted

Toilet Tissue Dispensers

MasterFormat Section 10 28 13



Scan for Information



SUSTAINABILITY/LEED

MR 4.1 (1) MR 6 (1) EQ 4.2 (1)
MR 4.2 (1) EQ 4.1 (1) EQ 4.4 (1)

NOTE:
ALL DIM'S INCH [MM]
ILLUSTRATION FOR REF ONLY AND NTS

PRODUCT OVERVIEW

Holds two (2) rolls of standard core size toilet tissue up to 6" diameter [Ø152] and 4-1/8" [105] to 4-3/4" [121] wide. Unit fabricated of polished chrome-plated steel. Brake springs provide controlled delivery for each roll of toilet paper. Roll core prevents access to release catch spring and roll shall be non-removable until roll is depleted. Toilet paper is dispensed with controlled delivery from each roll. Roll is replaced on a cycle determined by maintenance needs. Roll cores prevent access to release catches and must be removed to allow end support arms to swing away for service roll replacements.

KEY FEATURES & SPECIFICATIONS

- Double Roll Dispenser
- 18 Gauge Type 304 Chrome Plated Steel with High Polish
- Surface Mounted

OPERATION & MAINTENANCE

Toilet paper is dispensed with free delivery from each roll while preventing over-spin from fast-pull. Roll is replaced on a cycle determined by maintenance needs. Roll cores prevent access to release catches and must be removed to allow end support arms to swing away for service roll replacements.

TECHNICAL INFORMATION / PRODUCT PROPERTIES

| Property | Value |
|--------------|---|
| Dimensions | 12-3/8" [314] W x 2-3/4" [70] H x 4-1/4" [108] D |
| Construction | Type 304 Stainless Steel - Satin Finish |
| Mounting | Surface Mounted |
| Capacity | Holds two (2) rolls of standard core roll toilet paper up to 6" Dia. [Ø152] |

INSTALLATION

For general utility, mount unit 32" [813] AFF (Above Finished Floor) from center line of holder. Surface mount and secure holder to wall with two (2) #10 self threading screws (supplied by others) through mounting slots in back plate. For compliance with 2010 ADA Accessibility Standards and 2015 ABA Standards install unit so that center line of roll is 7" [178] min front of the water closet to 9" [229] max and outlet of roll is 15" [381] min AFF to 48" [1219] max AFF.

OPTIONS
WARRANTY

One (1) Year from date of Invoice