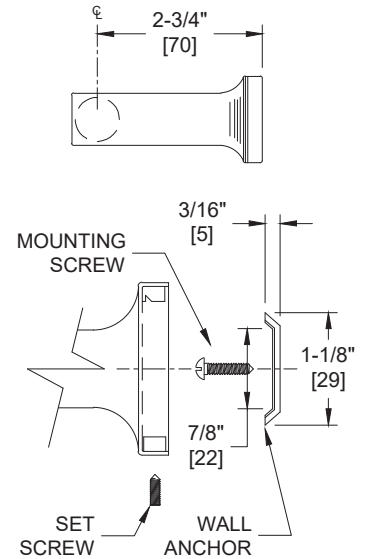
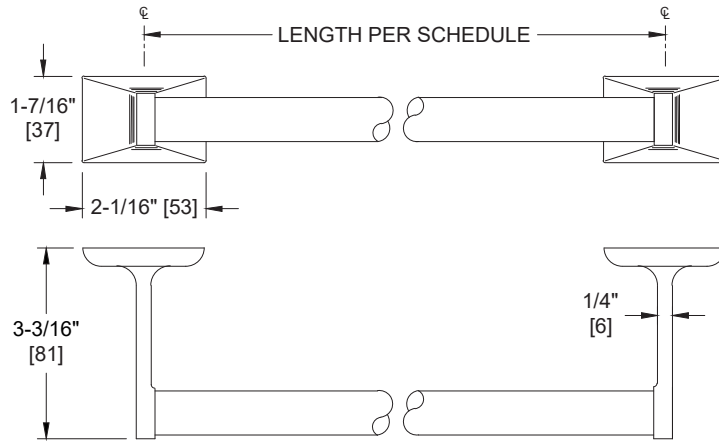


Towel Bar (Round) – Surface Mounted, Chrome Plated Zamak

Specialty Accessories

MasterFormat Section 10 28 13



Scan for Information



SUSTAINABILITY/LEED

NOTE:
ALL DIM'S INCH [MM]
ILLUSTRATION FOR REF ONLY AND NTS

PRODUCT OVERVIEW

Towel Bar Unit shall have triple chrome plated rust proof Zamak brackets. Bar is 3/4" [Ø19] diameter 21 gauge (.032 in. < .81 wall) triple chrome plated steel tubing. Unit is mounted by two end brackets. Tapped holes in bracket flange base have tamper resistant stainless steel slotted headless set screws to lock brackets to concealed pre-mounted wall plates. Unit meets appropriate FHA and other Federal Specifications. Triple chrome plated steel tubing available in variable lengths: 0755-Z-18 – 18" [457] length 0755-Z-24 – 24" [610] length 0755-Z-30 – 30" [762] length

KEY FEATURES & SPECIFICATIONS

- Round Shaped Rod - 3/4" diameter
- Chrome Plated Zamac
- Surface Mounted

OPERATION & MAINTENANCE

Washroom accessory products require regular surface cleaning, much the same as stainless steel sinks, pots and pans, and eating utensils. As long as a regular cleaning schedule is followed, the best method is cleaning with a soft clean rag moistened with a mild detergent, followed by a water-moistened clean rag and then a dry rag.

TECHNICAL INFORMATION / PRODUCT PROPERTIES

Property	Value
Dimensions	1" diameter Tube [Ø25] / 18" [467] - 30" [762] length
Construction	Chrome Plated Zamac
Mounting	Surface Mounted
Capacity	N/A

INSTALLATION

For compliance with 2010 ADA Accessibility Standards, install unit so that centerline of bar is 48" [1219] Above Finished Floor (AFF) if clear floor forward reach access is provided or 46" [1168] maximum AFF is side reach over obstruction is only provided (i.e. vanity). Surface mount each support post to wall with three (3) 1/4" diameter [Ø6] oval, pan or round head fasteners of length and type to suit wall conditions (supplied by installer) through mounting holes in posts. To mount on stud walls, provide concealed backing at screw points, secured to studs. Backing must comply with local building codes. If concealed backing is not provided, secure with toggle bolts. To mount on solid walls, use plastic or fiber type (Rawl®) plugs or expansion bolts.

ADDITIONAL INFORMATION

Size Options
 0755-Z18 : 18" [457] Length
 0755-Z24: 24" [610] Length
 0755-Z30: 30" [762] Length
 0755-Z36: 36" [914] Length

WARRANTY

One (1) Year from date of Invoice