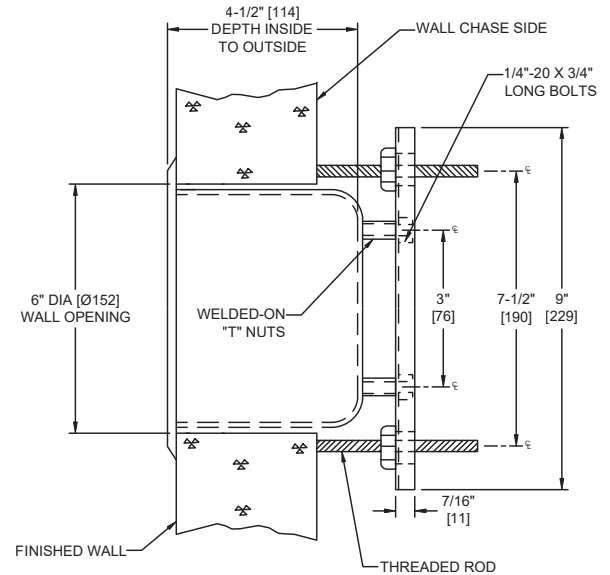
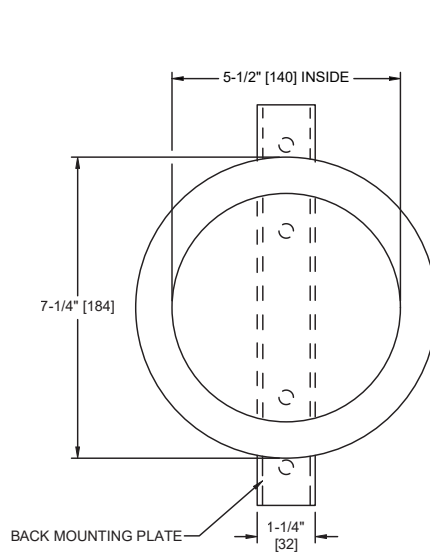


Recessed Toilet Tissue Holder – Chase Mount

Security Accessories

MasterFormat Section 10 28 13



Scan for Information



SUSTAINABILITY/LEED

MR 4.1 (1) MR 6 (1) EQ 4.2 (1)
MR 4.2 (1) EQ 4.1 (1) EQ 4.4 (1)

NOTE:
ALL DIM'S INCH [MM]
ILLUSTRATION FOR REF ONLY AND NTS

PRODUCT OVERVIEW

Fabricated of 16 gauge type 304 stainless steel, satin finish exterior, glass blasted satin finish interior. 4-1/2" [114] interior depth accommodates one standard toilet tissue roll. Hidden contraband causes roll to project from holder allowing detection. Two "T" nuts welded on back for rear mounting.

KEY FEATURES & SPECIFICATIONS

- Built for high security environments
- Type 304 Stainless Steel - Satin Finish
- 16 gauge
- Recessed - Chase (Rear) Mount

OPERATION & MAINTENANCE

One roll of toilet paper is stored in the 5-1/2" diameter [Ø140] x 4-1/2" [114] deep cylindrical holder. Toilet paper is replenished on a cycle determined by maintenance needs.

TECHNICAL INFORMATION / PRODUCT PROPERTIES

Property	Value
Dimensions	7-1/4" Dia. [Ø184] x 4-1/2" [114] depth
Construction	Type 304 Stainless Steel - Satin Finish 16 gauge
Mounting	Recessed - Chase (Rear) Mount
Capacity	

INSTALLATION

For compliance with 2010 ADA Accessibility Standards install unit so that centerline of paper holder is between 19" [483] minimum Above Finished Floor (AFF) to 44" [1118] maximum AFF and leading edge of roll is no farther than 36" [914] from back wall behind commode. Recommended mounting height is 32" [813] minimum AFF. Recess mount paper holder into wall opening. For shallow wall mount plate to back of holder with two (2) 1/4"-20 x 3/4" bolts screwed into T-nuts. Secure unit to wall by adjusting two (2) 1/4"-20 x 3" long threaded rods with washers and nuts to accommodate wall thickness.

Rough Wall Opening (RWO) required is 6" diameter [Ø152] into chase clearance

OPTIONS

Wall Thickness:
 Up to 6" [152]
 8" [203]
 Over 8" [203]
 Specify W = _____ Inches

WARRANTY

One (1) Year from date of Invoice