



AMERICAN SPECIALTIES, INC.

441 Saw Mill River Road, Yonkers, NY 10701 (914) 476-9000
www.americanspecialties.com

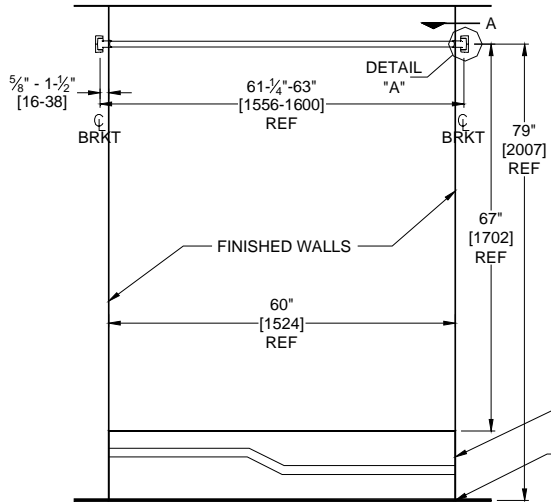
MODEL No: 1201-INST

ISSUED: 10-08

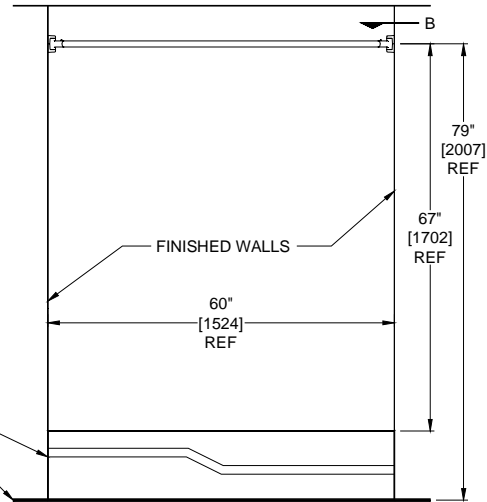
REVISED: 11-08

1201 CURVED ROD INSTALLATION (PG 1 OF 2)

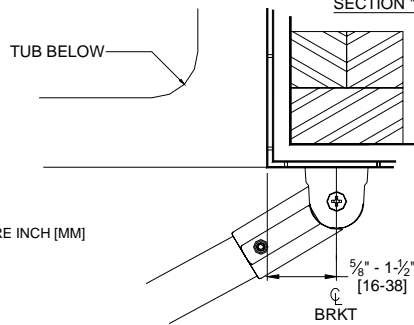
INSTALLATION TYPE A - FACE WALLS



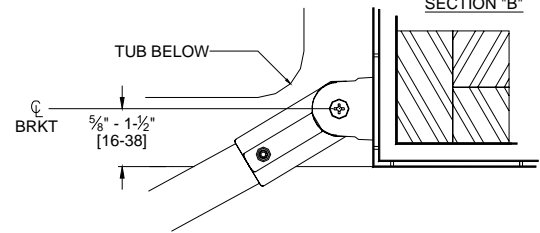
INSTALLATION TYPE B - OPPOSITE WALLS



SECTION "A"

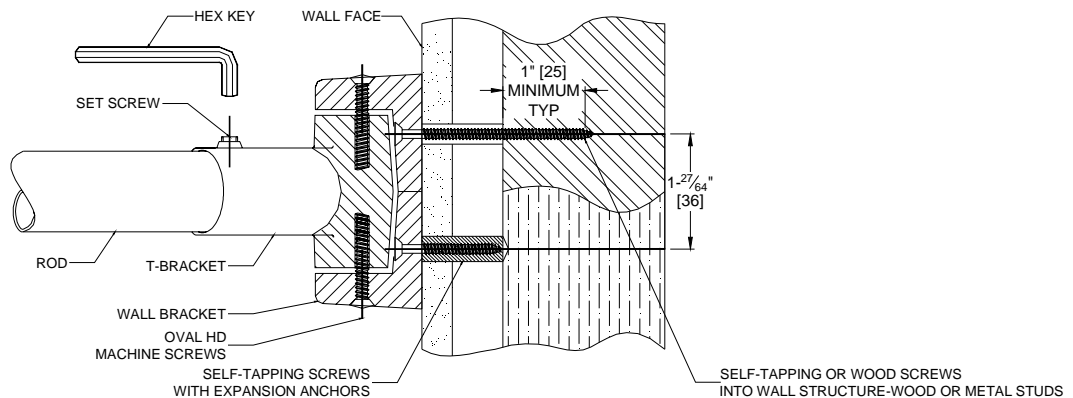


SECTION "B"



NOTE: DIMS ARE INCH [MM]

DETAIL "A"-TYPICAL ASSEMBLY





AMERICAN SPECIALTIES, INC.

441 Saw Mill River Road, Yonkers, NY 10701 (914) 476-9000
www.americanspecialties.com

MODEL No: 1201-INST

ISSUED: 10-08

REVISED: 11-08

1201 CURVED ROD INSTALLATION (PG 2 OF 2)

TYPE OF INSTALLATION

Curved Shower Curtain Rod with Mounting Brackets is intended for use with standard shower curtain model N^o 1200-V (order separately) having 72" (1829) length and standard hooks Model N^o 1200-SHU (order separately) for a 60" wide enclosure either over a bathtub or in a shower stall. Rod is installed between two (2) mounting brackets and locked against rotation with setscrews (provided) in T-bracket rod holder bore. Brackets may be mounted on opposing walls at each side of enclosure opening or outside opening across face walls. Determination must be made first for which type of installation is most suitable for the site condition. Wall Bracket flanges have two (2) countersunk 15/64" diameter (Ø6) holes to accept N^o 10 (M5) flat or oval head screws (by others) and will be used for either method. Review the illustrations and instructions completely before starting installation.

INSTALLATION TYPE A-Face Walls

Install unit with rod centerline 74-1/2" (1892) AFF or 67" (1702) above tub rim to obtain 6" (152) bottom overlap. Utilize the following procedure:

1. Draw a plumb line on the face walls outside the enclosure opening at the desired offset from the opening edge.
2. Verify the correct mounting height for the rod and mark a horizontal centerline at each wall bracket mounting location.
3. Provide appropriate wall preparation at each wall bracket mounting hole to receive the correct wall mounting hardware (by others) to suit the construction type. Make sure wall brackets are aligned on centerline to provide rod with a level horizontal mounting configuration.
4. Install both wall brackets.
5. Install the set screws (provided) into both T-Brackets and leave them loose for final adjustment.
6. Install one (1) T-Bracket and leave the machine screws (provided) loose for final adjustment.
7. Install the rod into the remaining T-Bracket and then into the already loosely installed T-Bracket.
8. Swing the rod and T-Bracket into position so the remaining T-Bracket is now aligned with the mounting holes in the top and bottom arms of the remaining already mounted wall bracket.
9. Install the remaining machine screws to retain the T-Bracket and tighten all.
10. Ensure that the rod is perpendicular to the wall and tighten the set screws to maintain position.

INSTALLATION TYPE B-Opposite Walls

Locate the desired height AFF for the centerline of the rod and utilize the following procedure:

1. Draw a plumb line on the opposing walls inside the enclosure at the desired setback from the face opening edge.
2. Follow the same steps as given in steps 2-10 above.

TYPICAL DETAILS

See Section A and Section B for typical corner offset or setback for either method as above. In all cases the wall mounting bracket and rod will have a final assembly configuration similar to that as shown in Detail A. Since there are a wide variety of possible wall construction conditions, the wall mounting hardware (by others) will vary to suit. Outwards bow of installed curved rod provides additional 8-1/4" (210) of shoulder room at mid-point of enclosure beyond what a similarly placed straight rod affords.