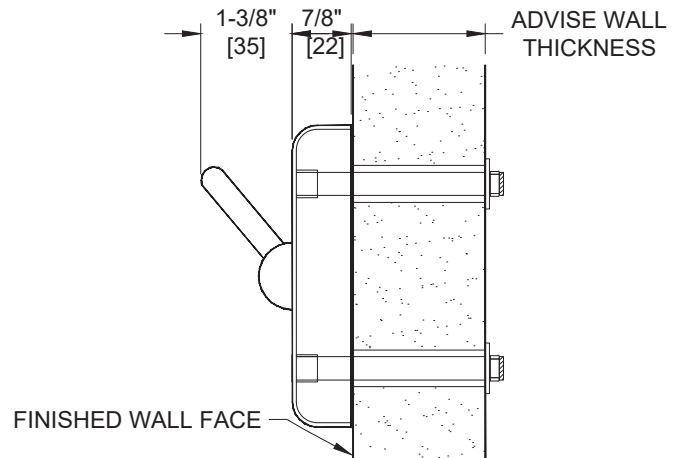
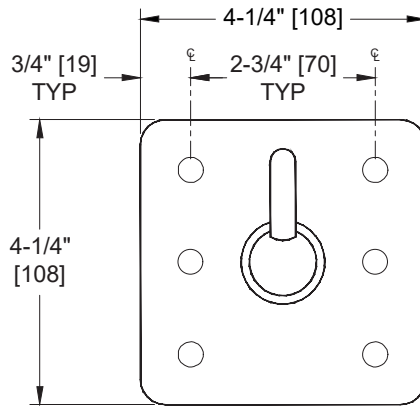


**Clothes Hook, Square – Chase Mount**

Security Accessories

MasterFormat Section 10 28 13



Scan for Information



**SUSTAINABILITY/LEED**

MR 4.1 (1) MR 6 (1) EQ 4.2 (1)  
MR 4.2 (1) EQ 4.1 (1) EQ 4.4 (1)

**NOTE:**  
ALL DIM'S INCH [MM]  
ILLUSTRATION FOR REF ONLY AND NTS

**PRODUCT OVERVIEW**

Fabricated of 12 gauge type 304 stainless steel with a satin finish. Back plate is fabricated of 14 gauge stainless steel. If hook is excessively loaded, it will snap down for safety. Square shape. Unit has four studs welded on back for rear mounting.

**KEY FEATURES & SPECIFICATIONS**

- Built for high security environments
- Type 304 Stainless Steel - Satin Finish
- 12 gauge hook
- Chase (Rear) Mount
- Anti-Ligature Snap Down Hook
- 14 gauge wall plate

**OPERATION & MAINTENANCE**

Clothes hook is tensioned to release down when overloaded beyond the 35 lb (16 kg) limit.

**TECHNICAL INFORMATION / PRODUCT PROPERTIES**

Property	Value
Dimensions	3" [76] W x 5" [127] H x 3-1/16" [78] D
Construction	Type 304 Stainless Steel - Satin Finish 12 gauge Anti-Ligature Snap Down Hook
Mounting	Chase (Rear) Mount
Capacity	

**INSTALLATION**

Unit is rear mounted to wall or partition using four (4) 1/4"-20 threaded studs, washers and nuts (supplied). For compliance with 2010 ADA Accessibility Standards install unit so the centerline of the hook is 48" [1219] maximum Above Finished Floor (AFF). Unit is supplied as standard with threaded studs suitable for mounting on walls up to 6" [152] thick. Other wall thickness over 6" [152] must be specified in chart for fabrication of adequate length studs. Locate and drill 3/8" diameter [Ø10] to 7/16" diameter [Ø11] holes through wall or partition to install threaded studs from rear.

**ADDITIONAL INFORMATION**

Wall Thickness:  
 Up to 6" [152]  
 8" [203]  
 Over 8" [203]  
 Specify W = \_\_\_\_\_ Inches

**WARRANTY**

One (1) Year from date of Invoice