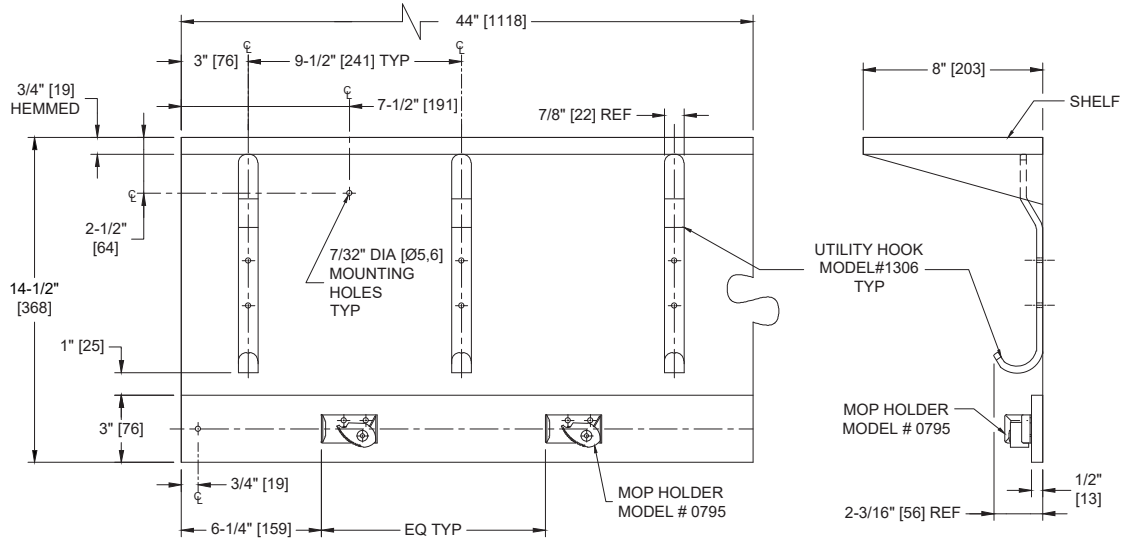
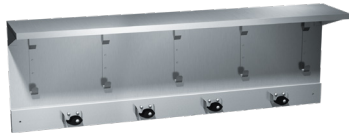


**Shelves - Utility Hook & Mop Strip (5 Hooks - 4 Holders) 44" – Surface Mounted**

Custodial Accessories

MasterFormat Section 10 28 13



Scan for Information



**SUSTAINABILITY/LEED**

MR 4.1 (1) MR 6 (1) EQ 4.2 (1)  
MR 4.2 (1) EQ 4.1 (1) EQ 4.4 (1)

**NOTE:**  
ALL DIM'S INCH [MM]  
ILLUSTRATION FOR REF ONLY AND NTS

**PRODUCT OVERVIEW**

Shelf and mop strip fabricated of 18 gauge type 304 satin finish stainless steel, this shelf is 8" [203] deep with 3/4" [19] return for rigidity, utility hooks shall be fabricated of stainless steel 14 gauge same material. Mop holders are riveted to strip and rubber cam is ribbed for grasping. 4 mop holders/5 utility hooks, 44" [1118] long. Mop holders shall be fabricated of cadmium plated steel and shall be ribbed for rigidity.

**KEY FEATURES & SPECIFICATIONS**

- 2-in-1 storage for custodians
- Type 304 Stainless Steel - Satin Finish
- Surface Mounted
- 5 Hooks - 4 Holders
- 44" [1118] Length

**OPERATION & MAINTENANCE**

The shelf is used to store various self-contained items. Mop or broom handle is pushed into the grip jaw of the pivoting serrated rubber cam with an upward motion until it seats behind the rib on the clamp plate. A spring holds the cam against the handler. Gravity holds the mop clamped in position. Rags, mop heads, towels, etc., may be hung on the utility hooks.

**TECHNICAL INFORMATION / PRODUCT PROPERTIES**

Property	Value
Dimensions	44" [1118] W x 14-1/2" [368] H x 8" [203] D
Construction	Type 304 Stainless Steel - Satin Finish
Mounting	Surface Mounted
Capacity	5 Hooks - 4 Holders

**INSTALLATION**

For general utility mount unit 66" [1676] Above Finished Floor (AFF) from bottom of mop strip. Surface mount unit to wall with #10 self-threading pan head screws (by others) through mounting holes provided in shelf back and mop strip.

**WARRANTY**

One (1) Year from date of Invoice