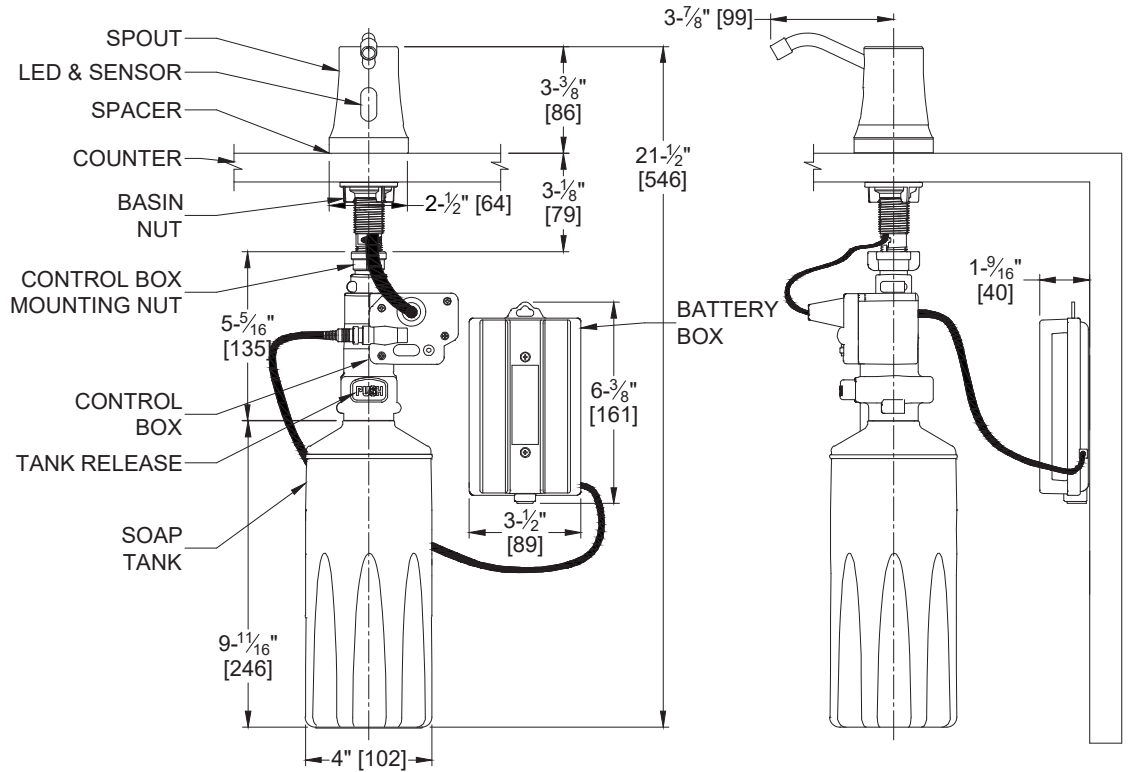


Automatic Foam Soap Dispenser – Vanity Mounted

Soap Dispensers

Roval

MasterFormat Section 10 28 13



NOTE:
ALL DIM'S INCH [MM]
ILLUSTRATION FOR REF ONLY AND NTS
SEE SOAP DISPENSER CARE & MAINTENANCE
DOCUMENT ONLINE FOR CLEANING

Scan for Information



SUSTAINABILITY/LEED

PRODUCT OVERVIEW

Unit has chrome plated brass on exposed surfaces. Powered by 4 D-size batteries (not included). LEDs indicate function, battery condition and soap supply level on face front. Translucent tank. Capacity: 54 oz. (1.6 L) foam soap. Soap Requirements: Proper usage of this dispenser requires, that only soap within the following range for viscosity and pH may be used. Viscosity Range (mPa•s or cP): 1.5 ~ 10. pH Range: 5.5 ~ 8.5

KEY FEATURES & SPECIFICATIONS

- "Touch Free" dispensing for better hygiene
- Elegant polished look
- Chrome Plated Brass
- Vanity Mounted
- Automatic - Battery Operated - "No Touch"
- Foam Soap - 54 oz. (1.6 L) Capacity

OPERATION & MAINTENANCE

Unit shall operate each time an object is positioned within the sensing range under the spout. A drop of 0.027 oz (0.8 ml) of soap will be pumped from the nozzle upon each activation. Unit will dispense soap while batteries are at suitable charge level and correct viscosity soap is present in the tank (red or blue LED is not flashing or solid on). Each dispense cycle ends with 1/2 sec. drawback to prevent drips. Push button releases tank for easy refilling. LED will display red flash for sensing, solid red for low battery condition and flashing blue for low soap level. Pump will auto cycle one (1) dispense activation if no operation has occurred for 24 previous hours to help prevent clogs. Soap is manually replenished and batteries are replaced on service interval determined by maintenance schedule. See OM for complete description of operational characteristics.

TECHNICAL INFORMATION / PRODUCT PROPERTIES

Property	Value
Dimensions	6-3/4" x 16" [171 x 407] Spout Projection: 3-7/8" [99]
Construction	Chrome Plated Brass
Mounting	Vanity/Counter Mount
Options	N/A

INSTALLATION

Mount spout and sensor housing to vanity with rubber washers and basin nut (supplied) through mounting hole in deck (provided by others). A 3/8" [10] high spacer is provided for installation with raised rim vanity basins. Mount battery compartment in convenient location under vanity deck with screw and wall anchor (supplied). Install four (4) D size 1.5 V cells (supplied by others) in under-deck battery compartment according to polarity indication and screw lock cover. Fill tank with appropriate viscosity soap to correct level and latch into port. Connect control and battery power cables plugs into control unit.

WARRANTY

One (1) Year from date of invoice